

Wiley Electronics LLC

Washer, Electrical Equipment Bond

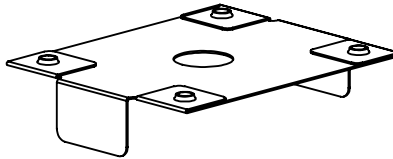
WEEB

Patent Pending

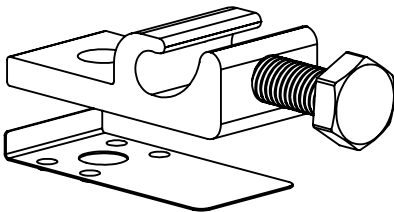
INSTALLATION INSTRUCTIONS

For SPG Mounting Systems and unistrut style rails

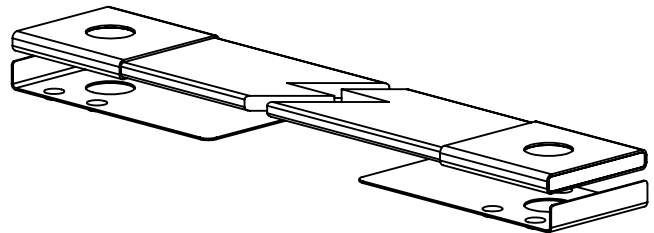
Please read carefully before installing.



WEEB-WMC



WEEBL-6.7



WEEB Bonding Jumper



Products are tested to UL 467 3098177
UL standard for safety grounding and bonding equipment

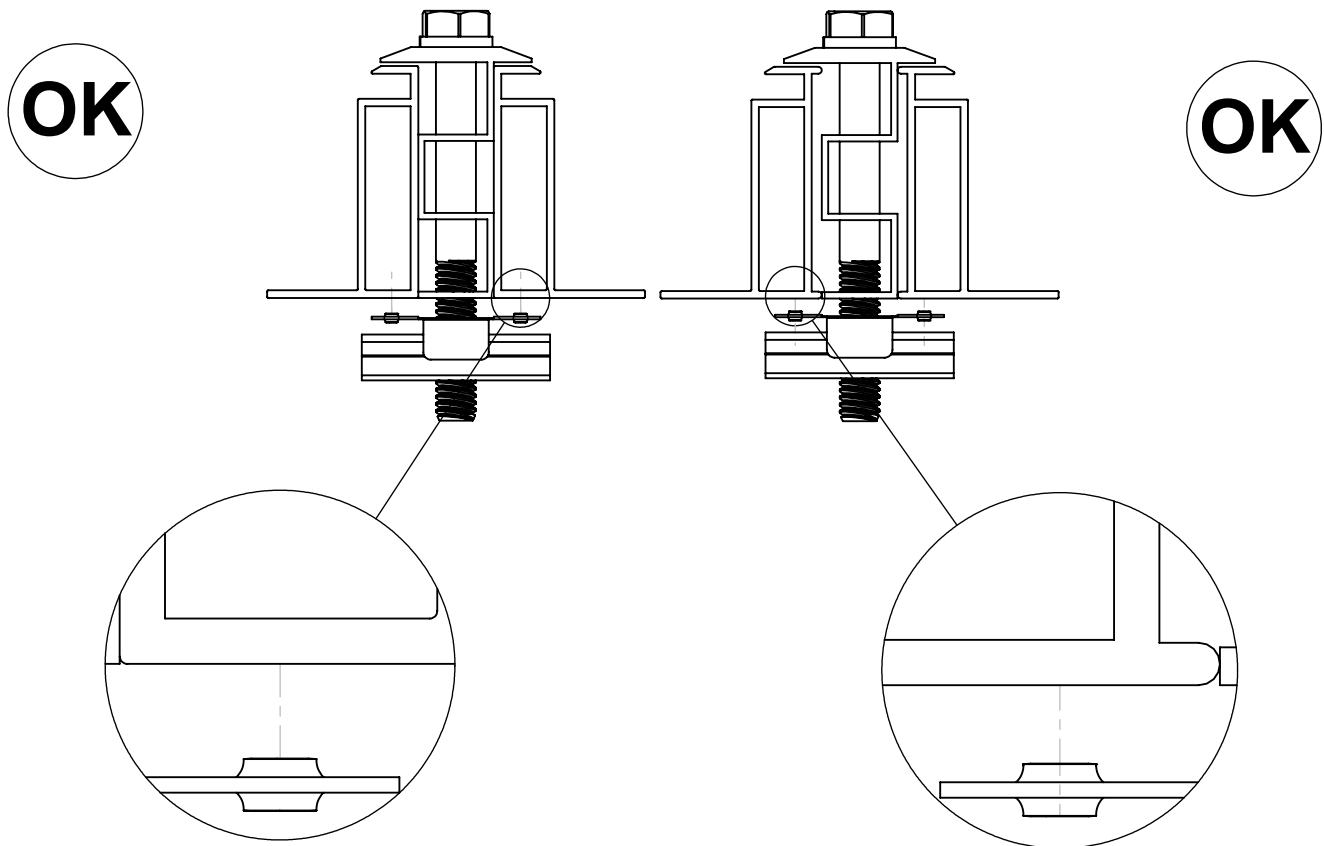
Document Number 104-0404-000038-000

WEEB COMPATIBILITY

The WEEB family of products can be used to bond anodized aluminum, galvanized steel, steel and other electrically conductive metal structures.

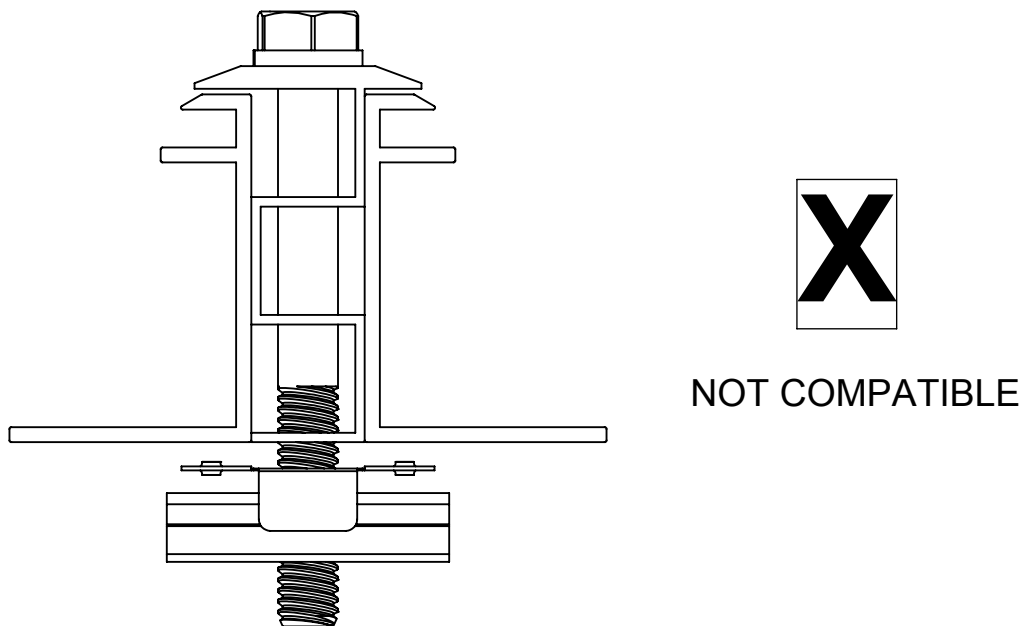
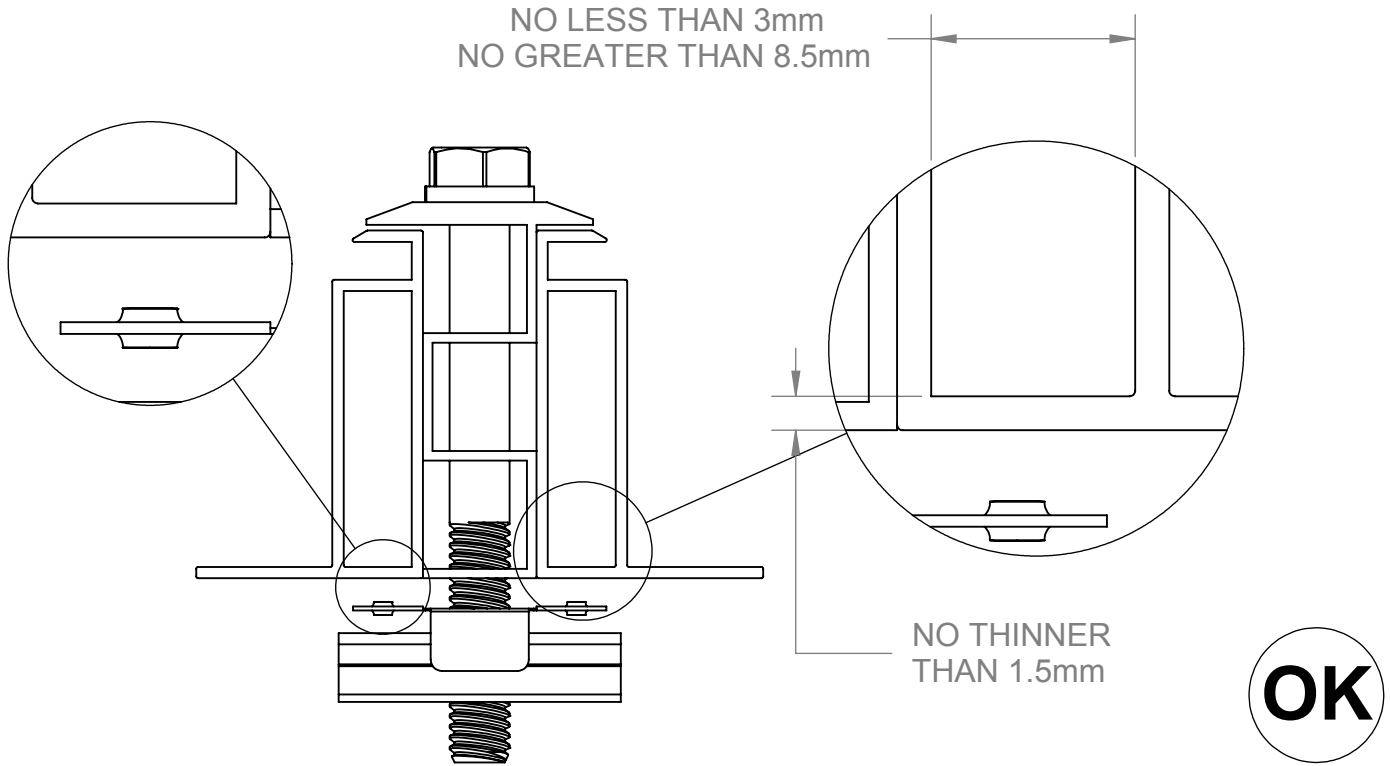
Standard Top Down Clamps

The WEEBs used for bonding the PV modules to the mounting rails are compatible with various cross-sections of module frames. The following are examples of module frames that are compatible. Notice that the WEEB teeth are positioned completely under the edge of the module frame.



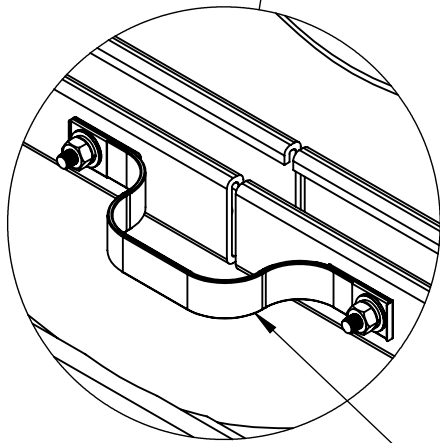
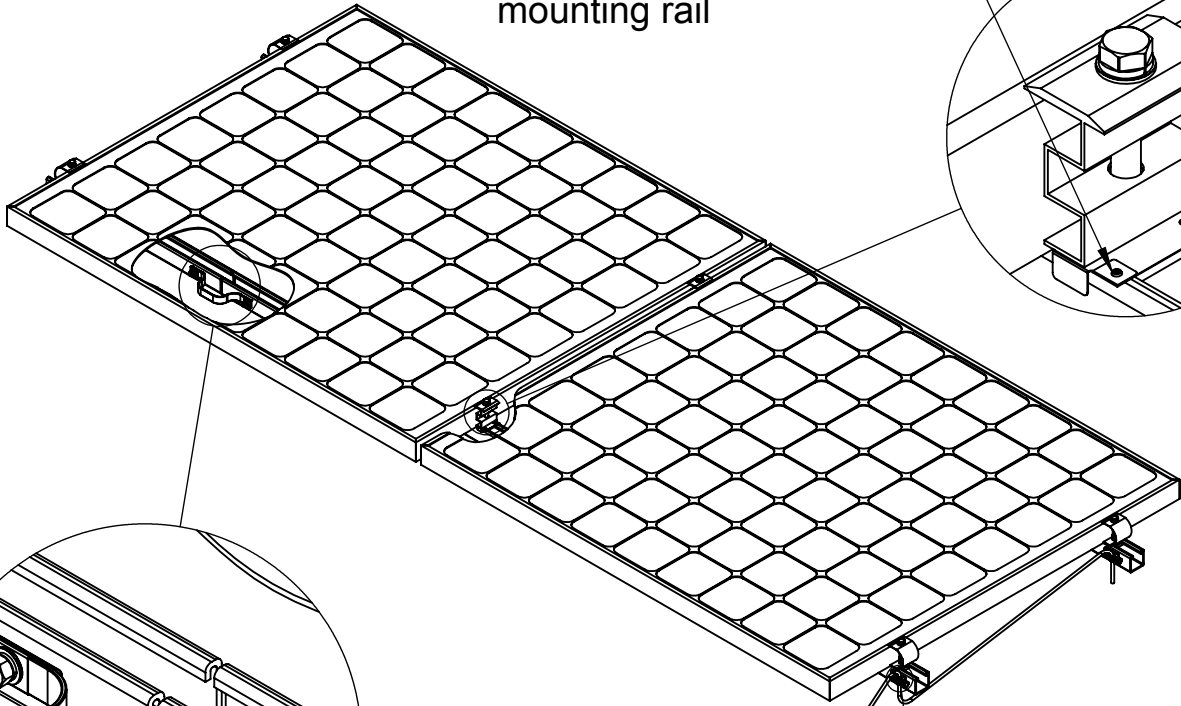
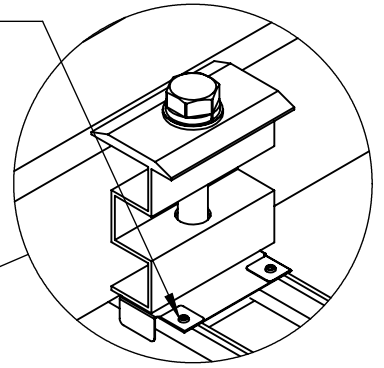
WEEB-WMC and Boxed Module Frames

Due to the width of the waffle mid clamp and the tooth spacing on the WEEB-WMC, only module frames with reinforcing box structures can be used for grounding with the WEEB. Below are specifications for such module frames.

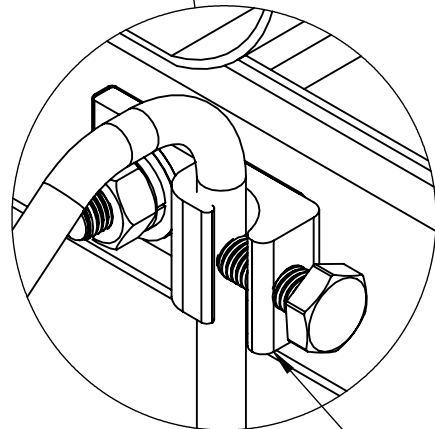


SYSTEM OVERVIEW

Use WEEB-WMC to bond solar modules to module mounting rail



Use WEEB Bonding Jumper to electrically connect mechanically spliced rails



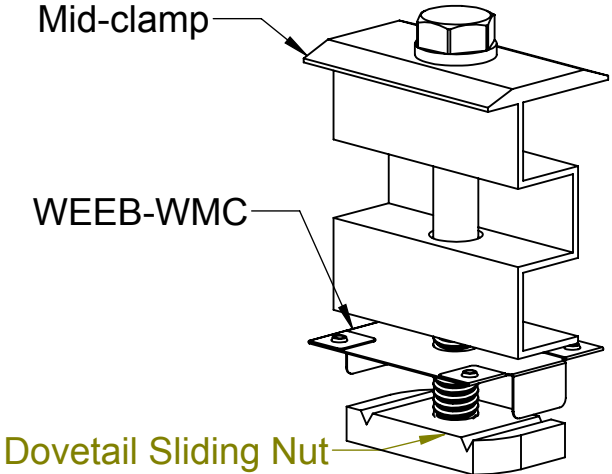
Use one WEEBLug-6.7 assembly per rail to connect system to equipment ground conductor

Important notes

1. Use general purpose anti-seize compound on fastener threads when installing WEEBs.
2. WEEBs are intended for SINGLE USE ONLY. Functionality will not be guaranteed if reused.

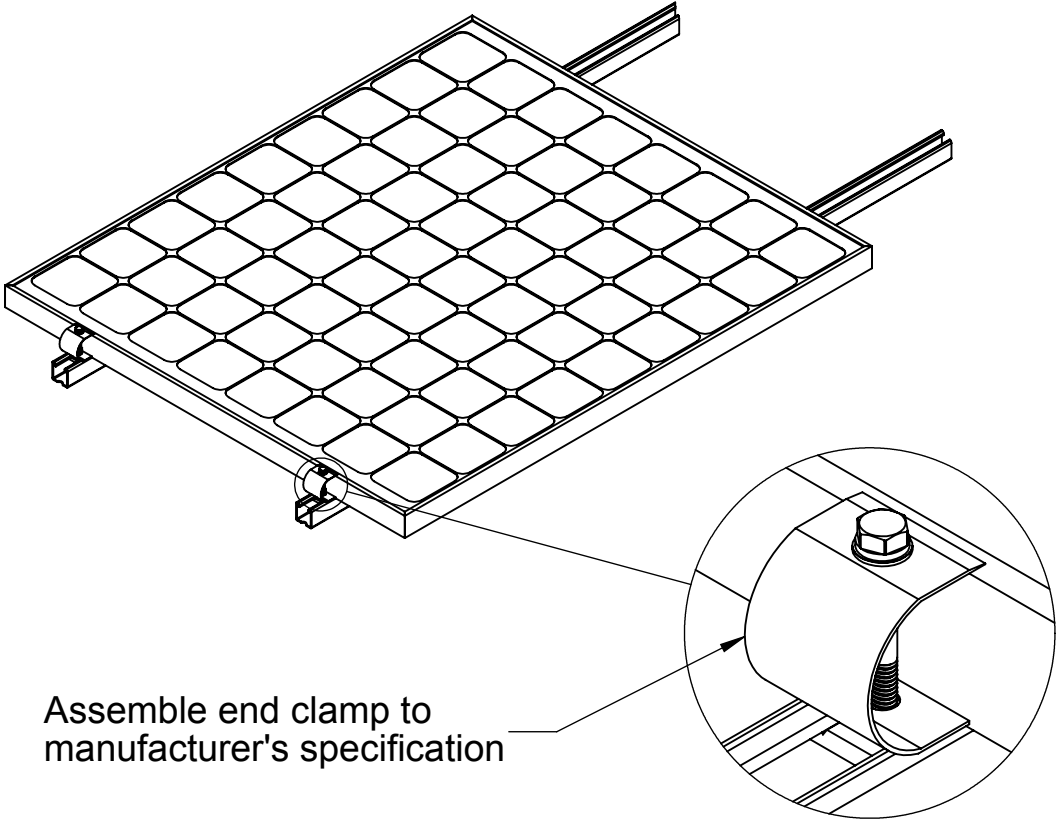
WEEB-WMC ASSEMBLY

1



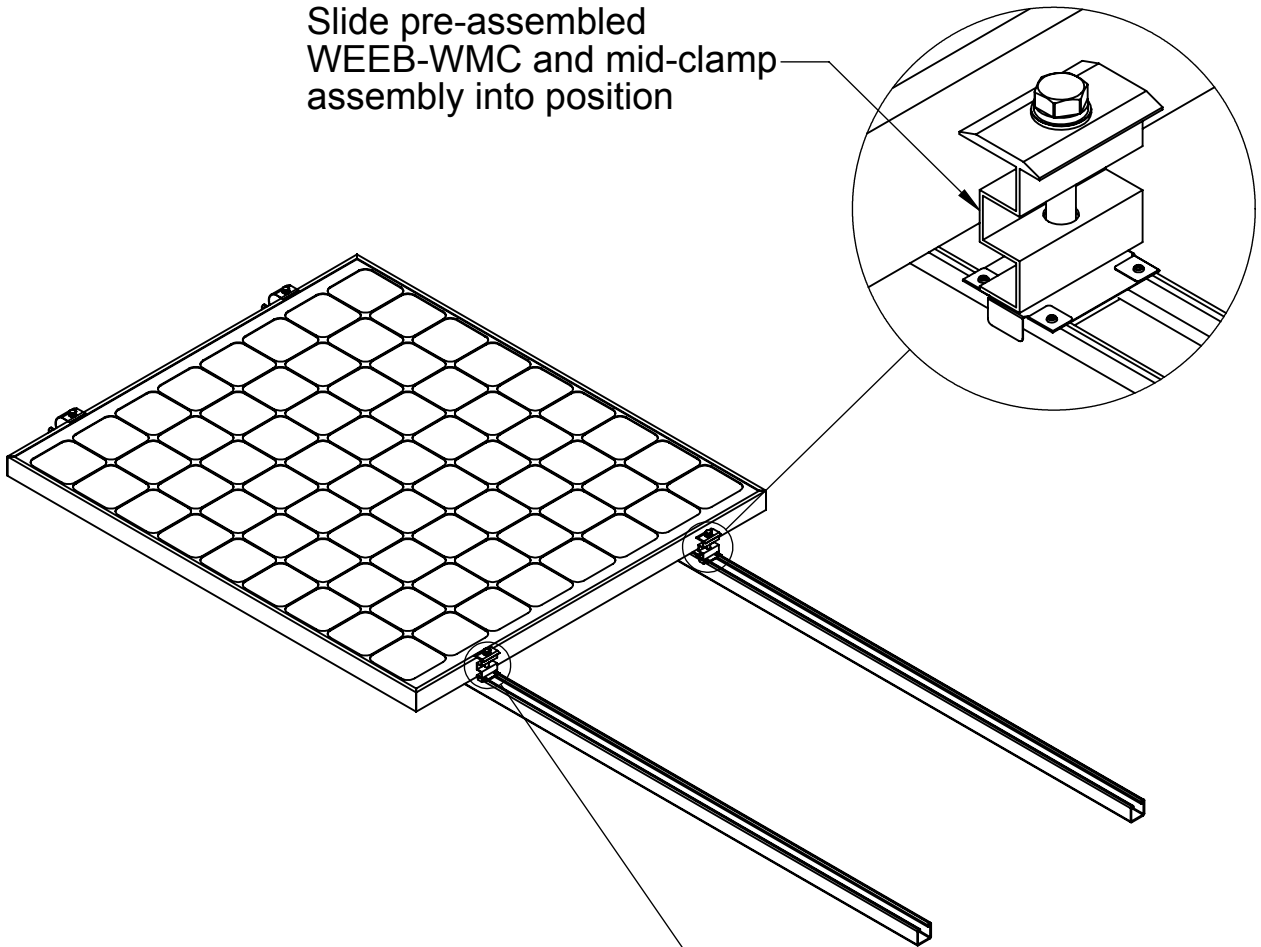
Pre-assemble WEEB-WMC to mid-clamp assembly as shown. Pre-assembling WEEB-WMC to mid-clamp assembly will contain the small individual parts, reducing the possibility of losing parts during installation

2

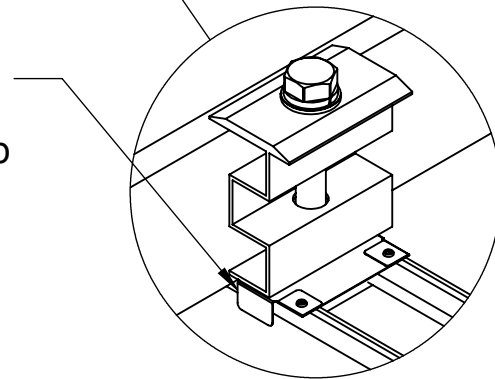


3

Slide pre-assembled
WEEB-WMC and mid-clamp
assembly into position



Slightly lift solar module and
slide WEEB-WMC and mid-
clamp assembly into position.
WEEB teeth will automatically
be aligned under the edge of
the module when the mid-clamp
assembly is correctly installed.

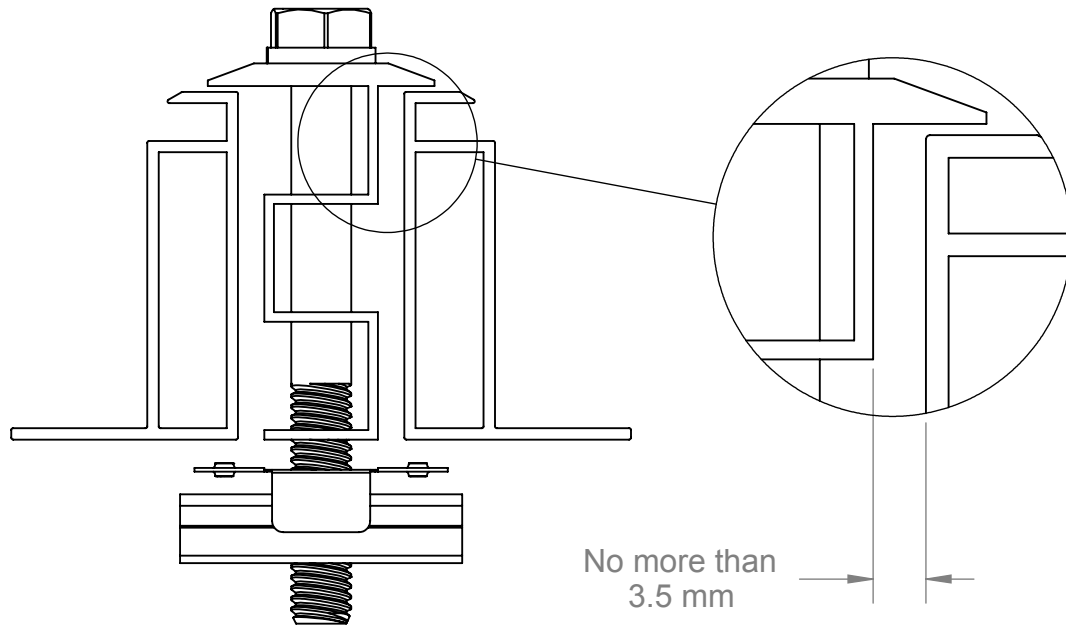


Important note:

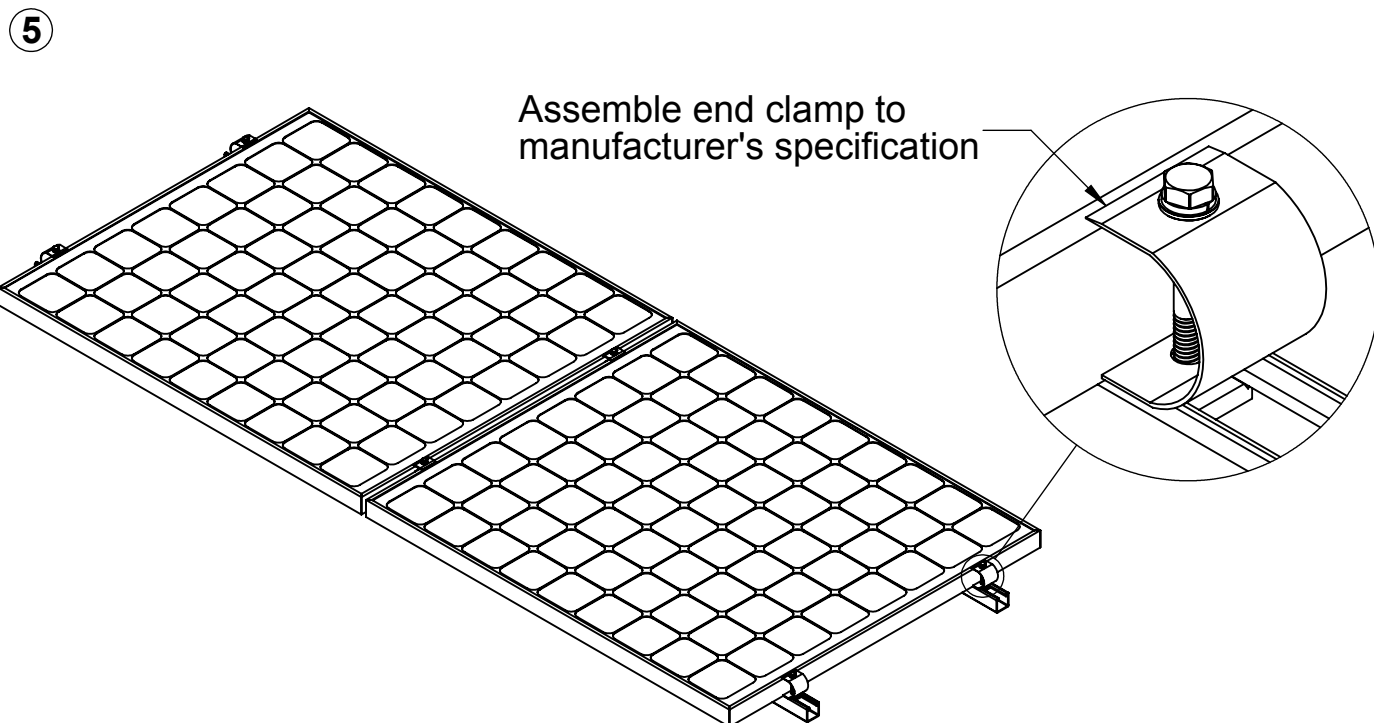
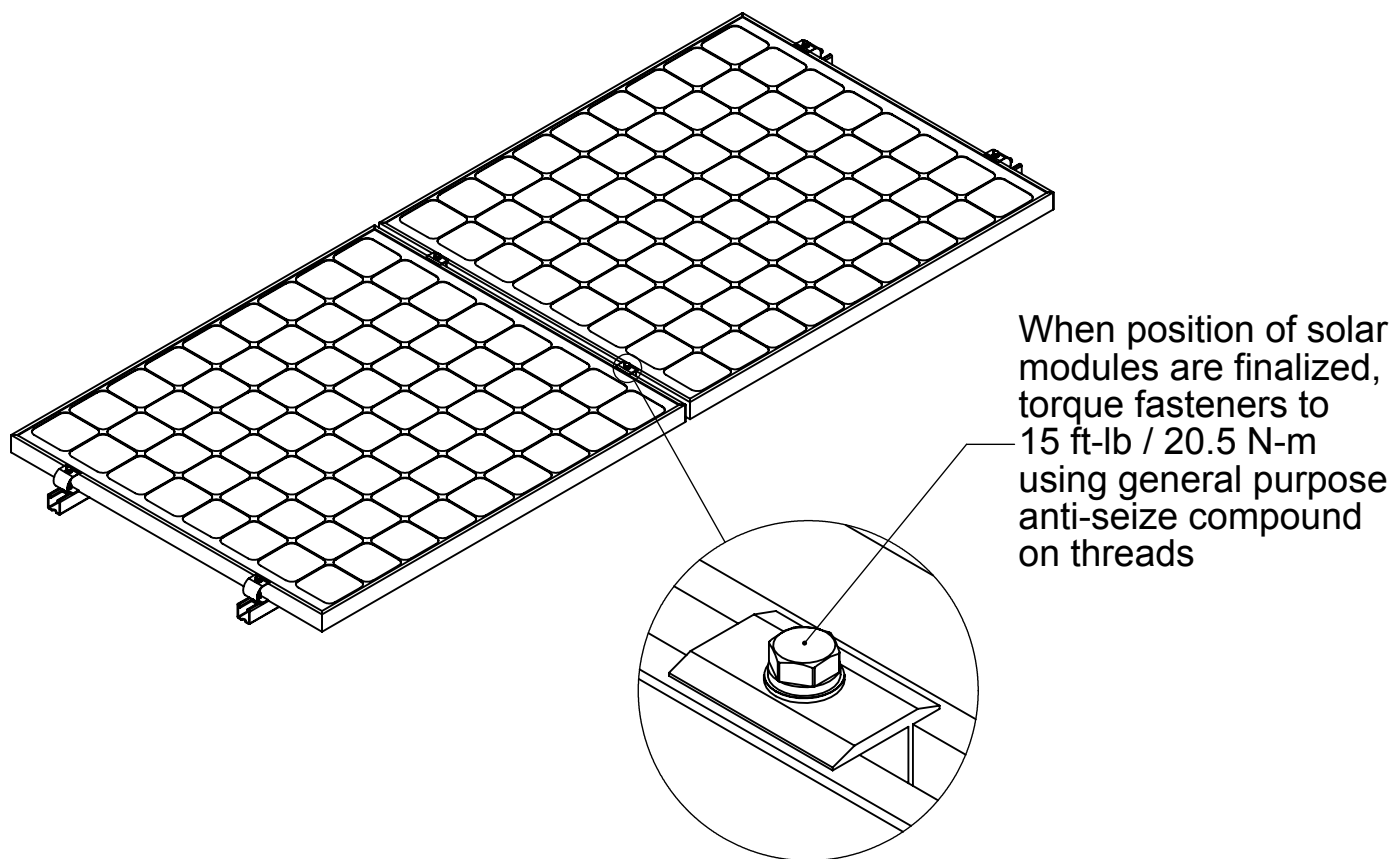
To correctly install WEEB-WMC, each side of the mid-clamp must cover at least 135 mm² of the module frame. Check with the module manufacturer for any additional installation requirements.

Important Note:

To ensure appropriate clamping area, there must be no more than 3.5 mm of space between the mid-clamp and the module frame.



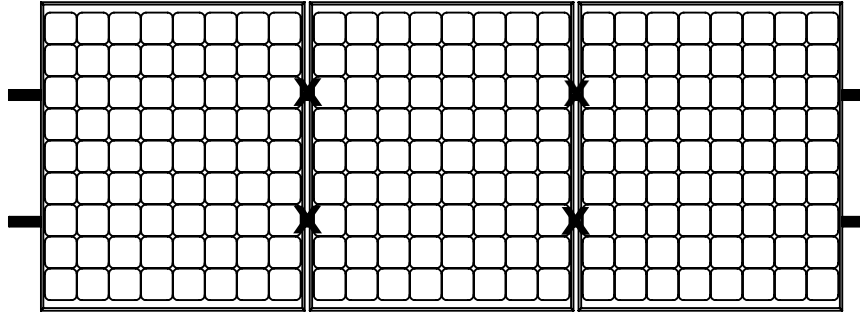
- ④ **Important note:**
WEEBs are for **SINGLE USE ONLY!** Do not torque fasteners down if position of solar modules is not finalized. Only slightly tighten fasteners to keep modules in place.



WEEB-WMC LAYOUT

ODD NUMBER OF MODULES IN ROW

TTI SunSeeker Layout

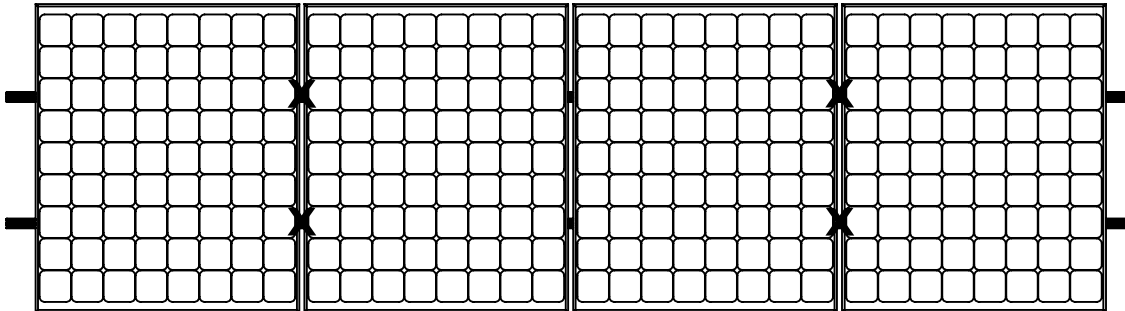


X DENOTES PLACES TO INSTALL WEEB-WMC

$$C \times R = 5 \times 1$$

$$\text{WEEB-WMC NEEDED} = [C+1] \times R = [5+1] \times 1 = 6$$

EVEN NUMBER OF MODULES IN ROW



X DENOTES PLACES TO INSTALL WEEB-WMC

$$C \times R = 4 \times 1$$

$$\text{WEEB-WMC NEEDED} = C \times R = 4 \times 1 = 4$$

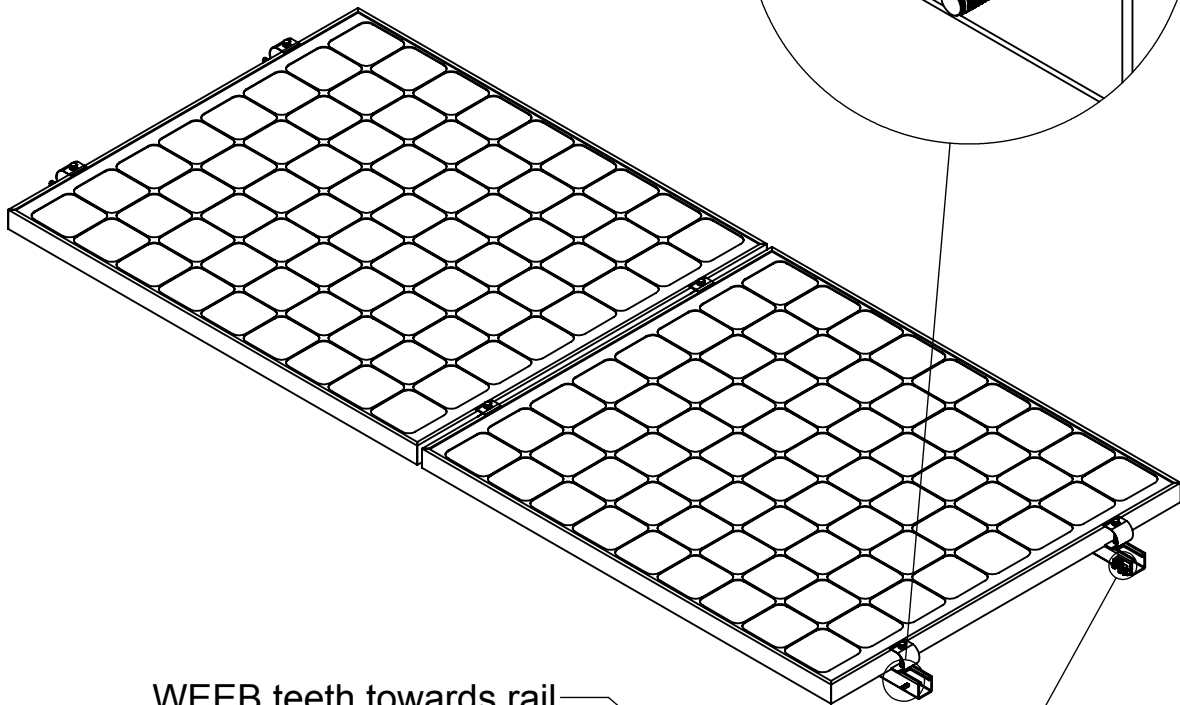
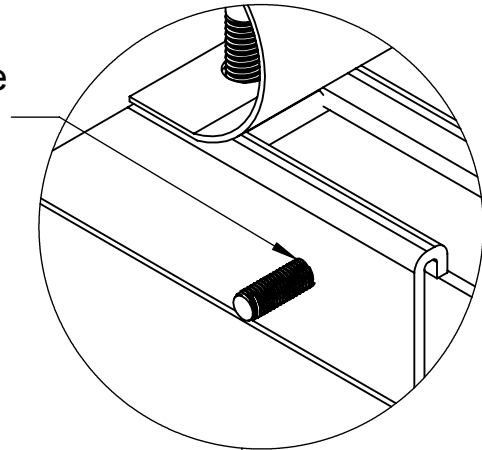
Note:

When replacing a single faulty module, also remove the adjacent module which contacts the same WEEBs as the faulty module. This will ensure that there are never ungrounded modules in the array.

WEEBLUG ASSEMBLY

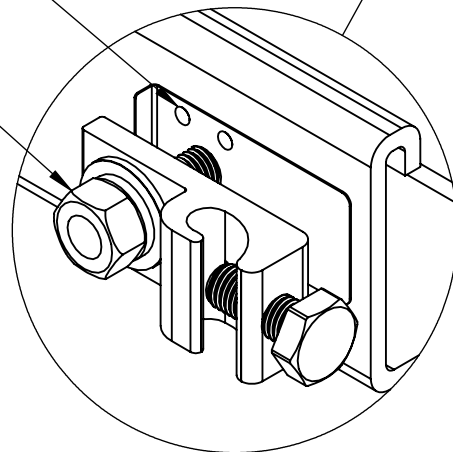
7

Drill bolt clearance hole
 ϕ 17/64in / 7mm on
vertical rail support.



WEEB teeth towards rail

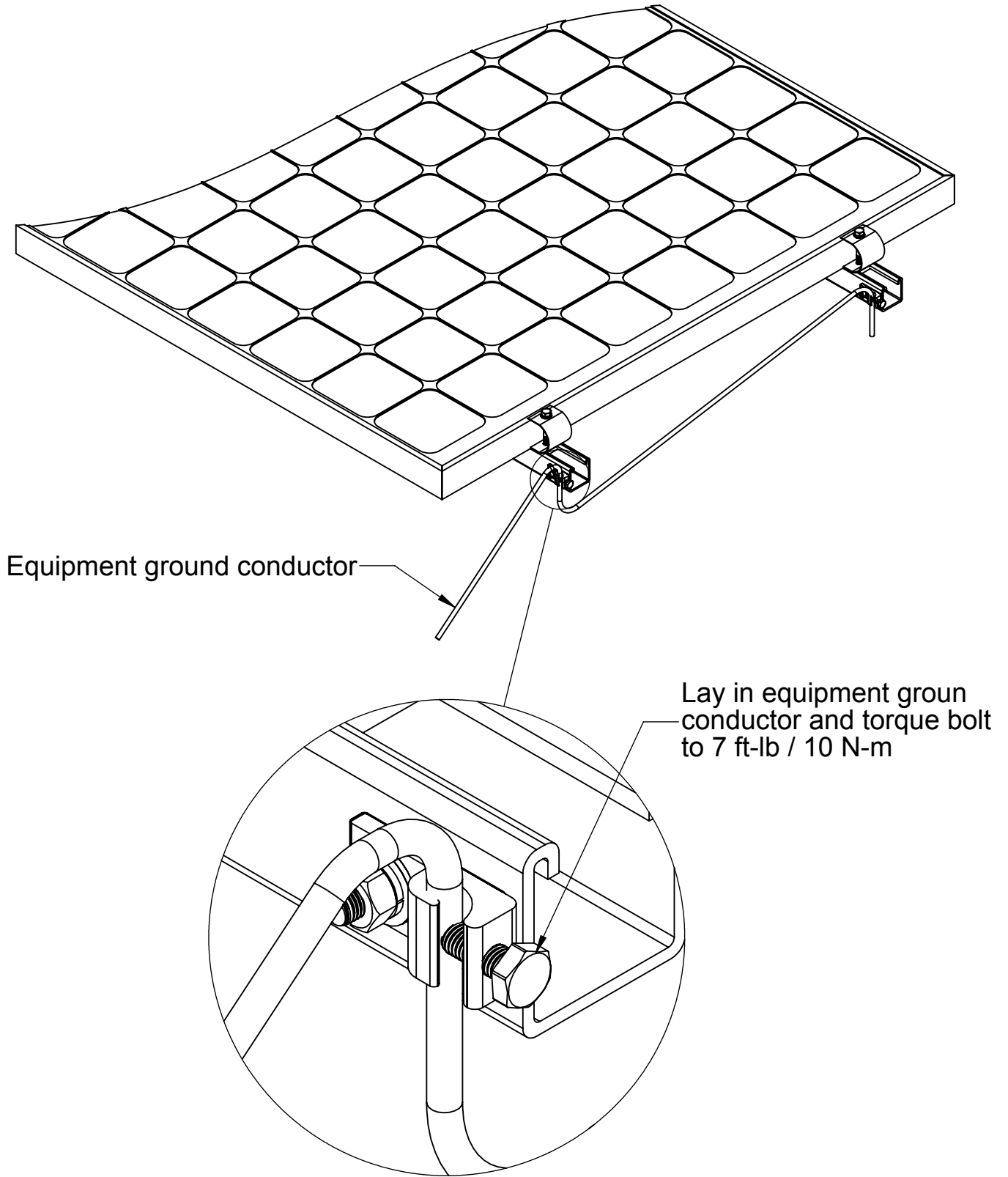
Assemble WEEBLug-6.7 assembly and
torque fasteners to 10 ft-lb / 13.5 N-m



Important note:

**WEEB-6.7 that sits under the WEEBLug is for SINGLE USE ONLY!
Ensure position is correct before tightening.**

8



WEEB BONDING JUMPER ASSEMBLY

- ⑨ WEEB Bonding Jumper can be used for all rail splices including expansion joints.

