

Product Update: New AC/DC Safety Switch, Power Optimizer Hardware Change

Dear SolarEdge Customers,

SolarEdge is happy to announce the following product updates:

1. SolarEdge is introducing a new AC/DC Safety Switch. The new switch features an elegant design consistent with the inverter cover and incorporates a single cover instead of separate internal and external covers.
 - a. Part Number: The new switch is available under part number DCD-1PH-US-C which replaces DCD-1PH-US-B.
 - b. Compatibility: This switch is compatible with all SExxxxA-US and SExxxxA-US-yyy inverters which have a green label on their box that says "DCD-1PH-US-C AC/DC Safety Switch is compatible with this inverter". Inverters not labeled as such should be used with previous switch versions.
2. SolarEdge is now shipping power optimizers without the optional grounding terminal. Power optimizers will continue to be supplied with a 5/16" stainless steel star washer. For installations where additional grounding cabling is required the optional grounding terminals can be purchased separately from SolarEdge.
 - a. Affected products: Power optimizers with part numbers OPxxx-xxx-xxxxx-2NAU with manufacturing date beginning week 3 of 2013.
 - b. Grounding terminals are available for purchase from SolarEdge under part number SE-GNDLUG-100, which includes parts for 100 grounding lugs.

Additional details can be found in the sections below.

Please contact SolarEdge support with any questions: support@solaredge.us, 1877 360 5292

SolarEdge Technologies | www.solaredge.com

USA	3347 Gateway Boulevard, Fremont, CA, 94538
Germany	Bretonischer Ring 18, 85630 Grasbrunn (Munich)
Italy	VISMUNDA SRL, Corso Del Popolo 50/A, Treviso
Japan	B-9 Ariake Frontier Building, 3-7-26 Ariake, Koto-Ku, Tokyo 135-0063
Israel	6 HeHarash St. P.O.Box 7349, Neve Neeman, Hod Hasharon 45240
China	City Center, 100 Zunyi Road, Building A, Unit 1204, Shanghai 200051

New AC/DC Safety Switch

SolarEdge is happy to introduce a new AC/DC Safety Switch. The new switch features an elegant design which is consistent with the inverter cover and incorporates a single cover instead of separate internal and external covers used in the past. The new switch offers a fully gasketed enclosure for improved corrosion resistance in harsh environments.

The new AC/DC Safety Switch will be available under part number DCD-1PH-US-C. This part number replaces DCD-1PH-US-B.

This switch is compatible with all SExxxxA-US and SExxxxA-US-yyy inverters which have a green label on their box that says “DCD-1PH-US-C AC/DC Safety Switch is compatible with this inverter”, as shown below. Inverters not labeled as such should be used with previous switch versions. Contact SolarEdge support if you have any questions regarding inverter/switch compatibility.

**DCD-1PH-US-C
AC/DC Safety Switch
is compatible with
this inverter**

Description

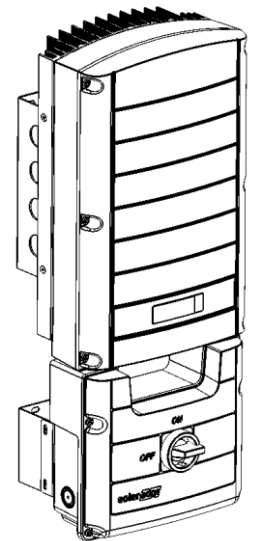
DCD-1PH-US-C supports the 208V, 240V and 277V grids, and has an operating temperature of -40°F to 140°F / -40°C to 60°C.

Benefits:

- Elegant design of the switch cover, consistent with the inverter cover design
- Constructed of corrosion resistant materials and fully gasketed
- Single cover instead of separate internal and external covers
- Provided with a simple-to-use mounting template, ensuring correct positioning of the switch after inverter installation
- Supports the SolarEdge architecture which enables the design of long strings. Therefore all SolarEdge systems are designed with just 1 or 2 strings, eliminating the need for fuses.
- The electrical design inside the enclosure remains as in the previous version

The complete installation instructions of the new switch are described on pages 21-27 of the SolarEdge Installation Guide v1.7. See:

<http://www.solaredge.com/files/pdfs/products/inverters/se-single-phase-inverter-user-manual-na.pdf>.



Grounding Terminal for SolarEdge power Optimizers

SolarEdge will begin shipping power optimizers to North America without the optional grounding terminal, shown in Figure 1.

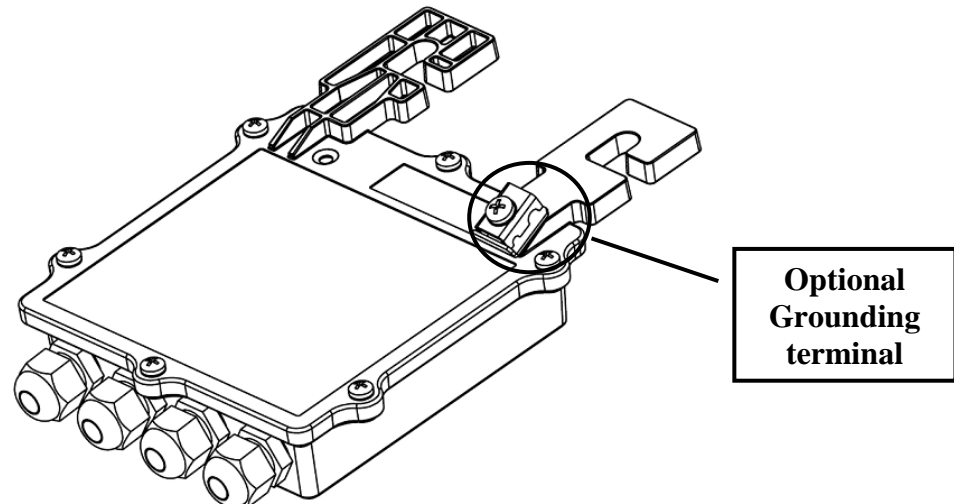


Figure 1: Power Optimizer Grounding Terminal

Power optimizers will continue to be supplied with a 5/16" stainless steel star washer, which is the recommended grounding method when mounting on a grounded metallic rail. For installations where additional grounding cabling is required the optional grounding terminals can be purchased separately from SolarEdge.

Affected products:

Power optimizers sold in North America with part numbers OPxxx-xxx-xxxxx-2NAU with manufacturing date beginning week 3 of 2013. To identify the manufacturing week refer to the power optimizer serial number. The date of manufacture is found in the first four digits following the letters SJ in the serial number. For example, a power optimizer with serial number SJ0313A-xxxxxxxx-xx was manufactured in week 3 of 2013.

SolarEdge Technologies | www.solaredge.com

USA	3347 Gateway Boulevard, Fremont, CA, 94538
Germany	Bretonischer Ring 18, 85630 Grasbrunn (Munich)
Italy	VISMUNDA SRL, Corso Del Popolo 50/A, Treviso
Japan	B-9 Ariake Frontier Building, 3-7-26 Ariake, Koto-Ku, Tokyo 135-0063
Israel	6 HeHarash St. P.O.Box 7349, Neve Neeman, Hod Hasharon 45240
China	City Center, 100 Zunyi Road, Building A, Unit 1204, Shanghai 200051

Mounting and Grounding Instructions

For mounting on a grounded rail:

Use the provided 5/16" stainless steel grounding star washer between the railing and the flat side of the mounting bracket, as shown in Figure 2. The star washer is approved as a Listed grounding means for attachment to galvanized steel, stainless steel and anodized aluminum. The stainless steel grounding washer will break through the anodize coating of the railing to ensure low-resistive connection. Apply torque of 9.5 N*m / 7 lb*ft.

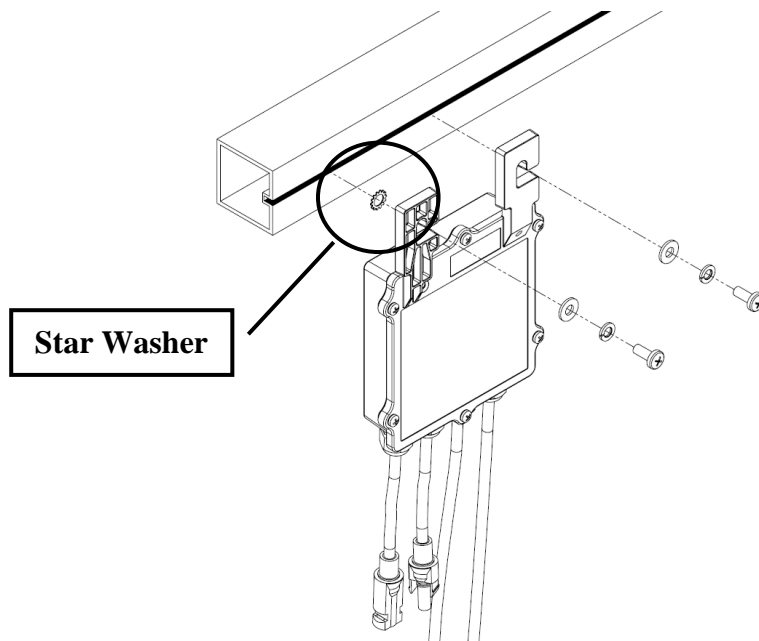


Figure 2: Power Optimizer Grounding Using the Star Washer

For mounting on rails with sliding nut fasteners or on an un-grounded structure:

Installation of the power optimizers on rails with sliding nut fasteners (e.g. unistrut) or installation on un-grounded structure (e.g. wooden structure) requires the use of the optional grounding terminal and a separate equipment grounding conductor. Grounding terminals are available for purchase from SolarEdge under part number SE-GNDLUG-100.

The optional grounding lug kit consists of four parts: a lower retainer, an upper retainer, a lockwasher and a screw, all shown in Figure 3. All components are stainless steel to prevent corrosion of the copper equipment grounding conductor and of the aluminum housing of the power optimizer. SE-GNDLUG-100 includes parts for 100 grounding lugs.

1. Attach a grounding terminal to each power optimizer using the supplied hardware. See Figure 3.
2. Connect an equipment-grounding conductor to the grounding terminal. The grounding terminal will accept a wire size of 6-14 AWG and must be sized for equipment per NEC 250.122. Tighten the screws connecting the power optimizer to the rack and the grounding terminal screw with a torque of 9.5 N*m / 7 lb*ft.

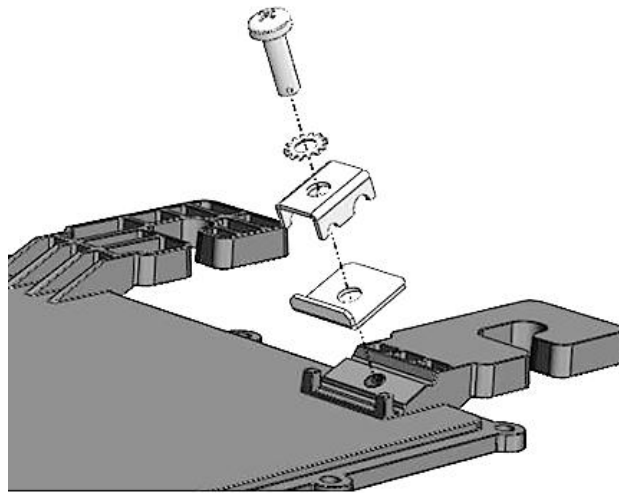


Figure 3: Attachment of a grounding terminal