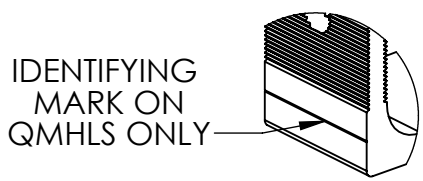
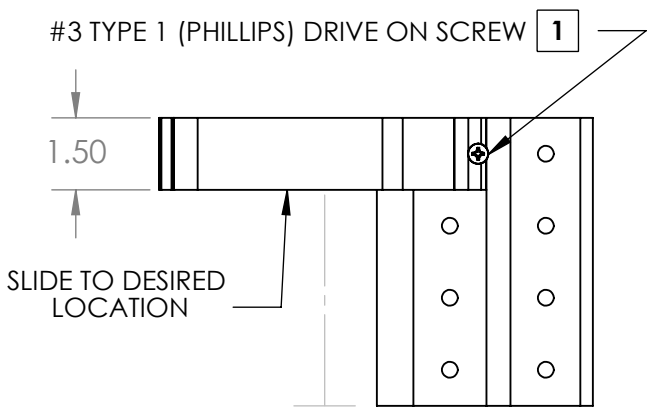
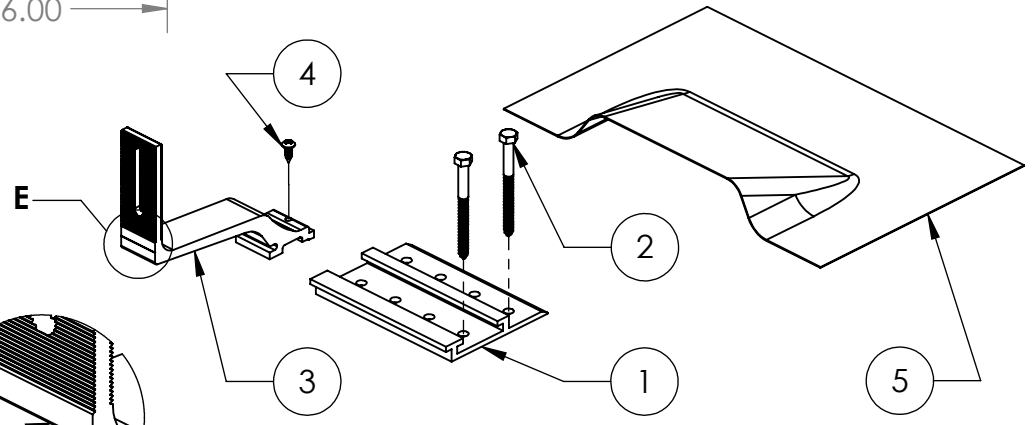


DIMENSION	QM ^{HSS}	QM ^{HLS}
A	6.57	6.30
B	2.21	1.93
C	1.89	1.60
D	6.27	6.00



DETAIL E
SCALE 1 : 2



ITEM NO.	DESCRIPTION	QTY.
1	BASE PLATE, QUICK HOOK, 6", 6063-T6, MILL	1
2	LAG SCREW, HEX HEAD, 5/16" x 3-1/2", 18-8SS	2
3	QUICK HOOK, STANDARD/LOW HEIGHT, VERTICAL, 1.5", 6061-T6, MILL	1
4	SCREW, SELF-TAPPING, #12 X 5/8", 18-8SS, MILL	1
5	SUBFLASHING, QUICK HOOK, 6" BASE, 9" X 14" X .032", 3003-0, MILL	1

1 DO NOT USE IMPACT DRILL ON SCREW

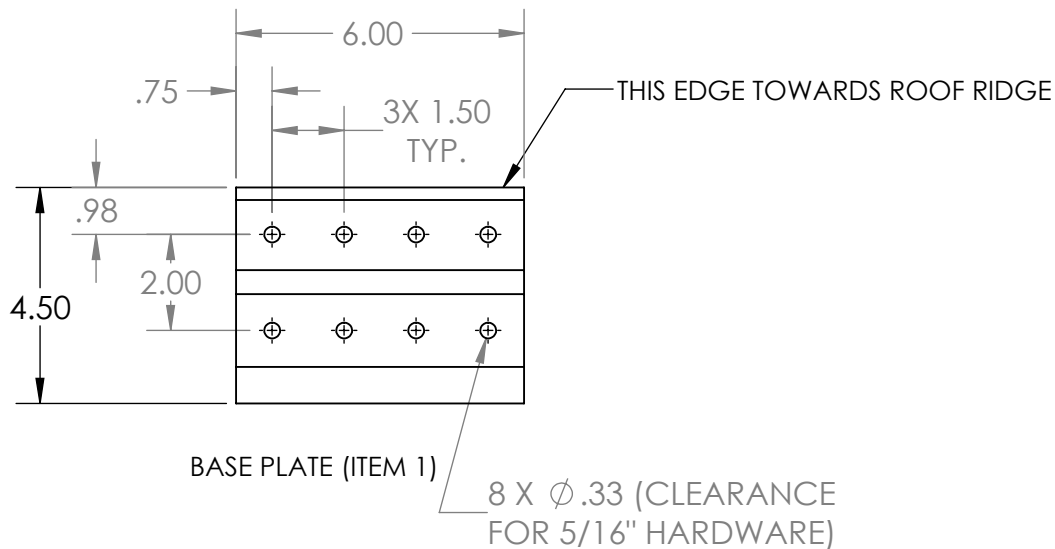
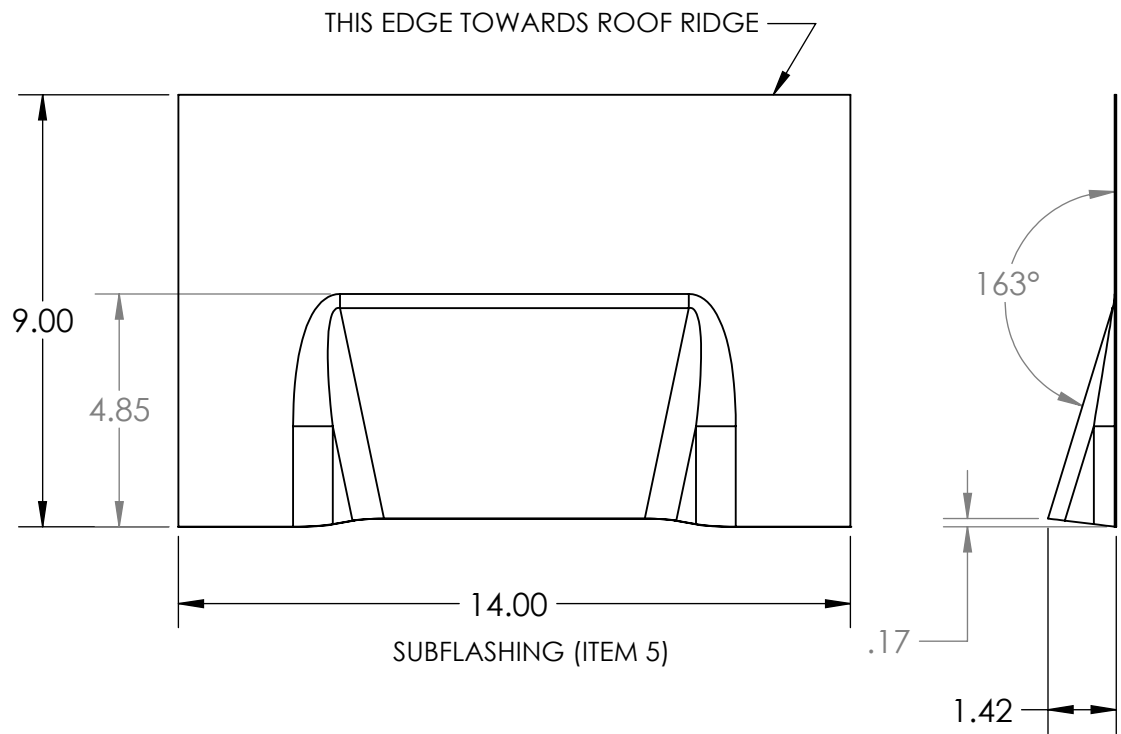
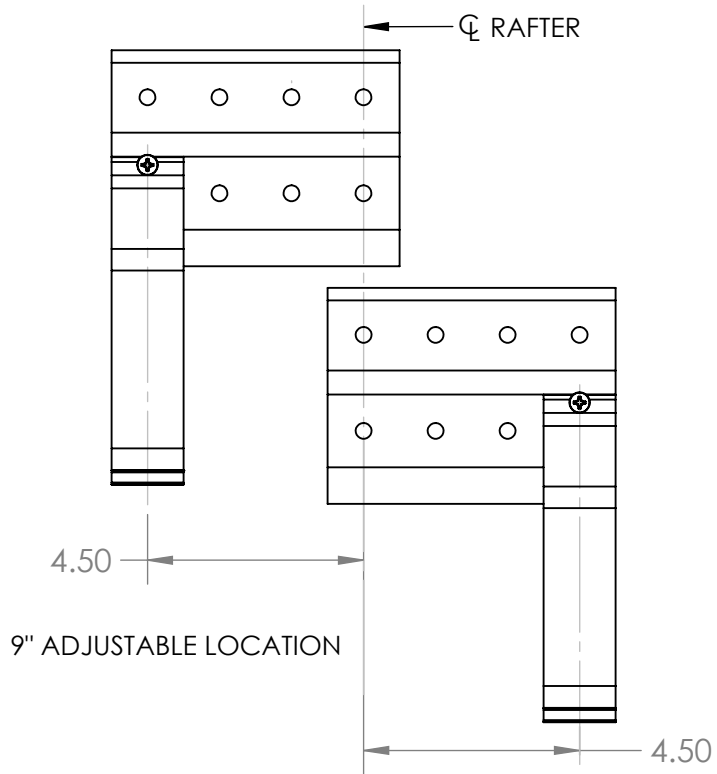


TITLE:
QM^{HSS} & QM^{HLS}: QUICK HOOK FOR SIDE MOUNTED RAILS

UNLESS OTHERWISE SPECIFIED: DIMENSIONS ARE IN INCHES TOLERANCES: FRACTIONAL ± 1/8 TWO PLACE DECIMAL ±.18 THREE PLACE DECIMAL ±.125	SIZE A	DRAWN BY: RAD	REV 7
	SCALE: 1:8	DATE: 11/18/2014	WEIGHT: 1.82
		SHEET 1 OF 2	

PROPRIETARY AND CONFIDENTIAL
THE INFORMATION CONTAINED IN THIS DRAWING IS THE SOLE PROPERTY OF QUICK MOUNT PV. ANY REPRODUCTION IN PART OR AS A WHOLE WITHOUT THE WRITTEN PERMISSION OF QUICK MOUNT PV IS PROHIBITED.

DO NOT SCALE DRAWING



Quick Mount PV[®]

TITLE:
QMHS & QMHL: QUICK HOOK FOR SIDE MOUNTED RAILS

UNLESS OTHERWISE SPECIFIED: DIMENSIONS ARE IN INCHES TOLERANCES: FRACTIONAL ± 1/8 TWO PLACE DECIMAL ±.18 THREE PLACE DECIMAL ±.125	SIZE A	DRAWN BY: RAD	REV 7
		DATE: 11/18/2014	
	SCALE: 1:4	WEIGHT: 1.82	SHEET 2 OF 2

PROPRIETARY AND CONFIDENTIAL
 THE INFORMATION CONTAINED IN THIS DRAWING IS THE SOLE PROPERTY OF QUICK MOUNT PV. ANY REPRODUCTION IN PART OR AS A WHOLE WITHOUT THE WRITTEN PERMISSION OF QUICK MOUNT PV IS PROHIBITED.

DO NOT SCALE DRAWING