

Heavy Duty Safety Switches

Class 3110



CONTENTS		
Description	Class	Page
Application Data	3110	2-6
Technical Data	3110	7
Dimensions	3110	8-16



SQUARE D
GROUPE SCHNEIDER

Application Data

Description

Heavy Duty Safety Switches may be used as a means for disconnecting a load from its supply, or for opening and closing a circuit. When equipped with fuses, overload and short circuit protection are also provided.

Application

Heavy Duty Safety Switches are designed for the following applications:

- Commercial and industrial installations.
- Up to 600 Vac or 600 Vdc maximum.
- Up to 200,000 rms symmetrical amperes short circuit current.
- 30 through 1200 amperes.
- Horsepower ratings.
- Two or three fusible switched poles with or without insulated, groundable neutral.
- Four fusible switched poles, neutral not available.
- Two or three not fusible, switched poles with or without insulated, groundable neutral.
- Four not fusible switched poles, neutral not available.
- Six not fusible switched poles, neutral not available.

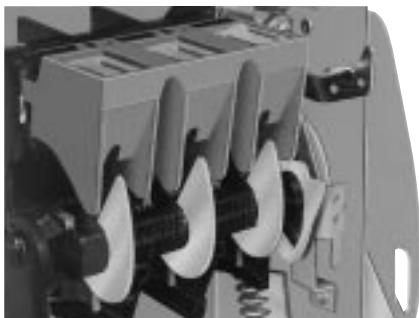
Standards

Heavy Duty Safety Switches are manufactured in accordance with these standards.

- UL98, Standard for Safety, Enclosed and Dead Front Switches. UL Listed under File E2875, or E154828.
- NEMA Standards Publication KS1, Enclosed Switches.
- Federal Specifications WS-865c for Type HD.
- CSA Certified – C22.2 No.4.
- NOM Certified.

Construction

- Visible blades for positive blade position.
- Optional viewing window – allows visual verification of blade position without opening door. Not available on all devices, contact Square D Sales Offices.



Visible Blades

- Red and black handle indication for switch position.



E Series



F Series

- F Series handle/lockplate is field replaceable.
- F Series RB devices have side opening covers.
- Highly visible ON-OFF marking.
- Quick-make, quick-break spring driven operating mechanism.
- F Series operating mechanism is a field replaceable, enclosed modular design.



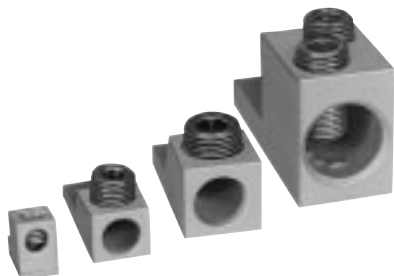
E Series
Operating
Mechanism



F Series
Operating
Mechanism

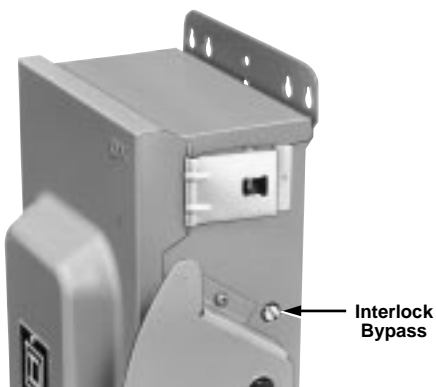


- Front removable mechanical lugs. Refer to Page 6 for further lugs data.
 - Aluminum or copper cable termination on NEMA Type 1, 3R or 4X KRYDON®.
 - Copper only cable termination on NEMA Type 12, 12K or 4, 4X, 5 stainless steel.



Mechanical Lugs

- Dual cover Interlock keeps the cover shut when switch is ON. When the cover is open, it locks the switch OFF, unless a qualified person bypasses the interlock.



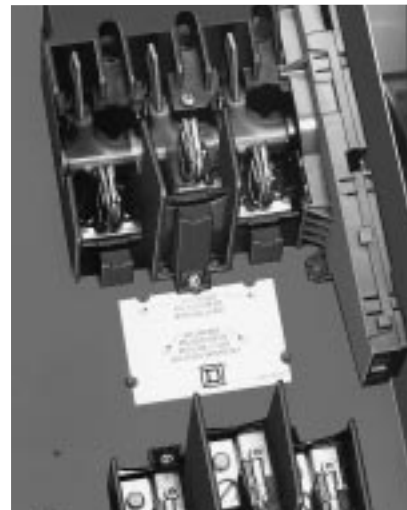
Interlock Bypass

- Factory installed fuse pullers on 30 through 100 ampere NEMA Type 4, 4X and 5 stainless steel and NEMA Type 12 or 12K switches. Field installable on 30 through 100 ampere NEMA Type 1 and NEMA Type 3R switches manufactured after February, 1980.



Fuse Pullers

- Class J fuse provisions on 30 through 600 ampere, 600 volt switches and 100 through 600 ampere, 240 volt switches. 600 ampere devices require a mounting kit.



Class J Fuse Provisions
Alternate mounting holes make for easy conversion to Class J fuses.

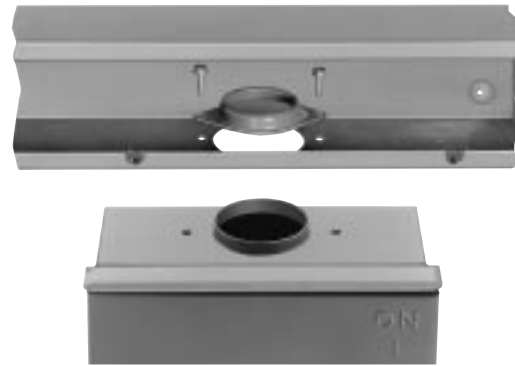
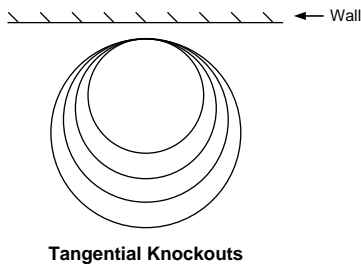
- 30 through 600 ampere switches are shipped with standard Class H fuse spacing.
- Multiple padlock provision in OFF position.



Lock-off Provision

Application Data

- Tangential combination knockouts alleviate the need for conduit offset bends.

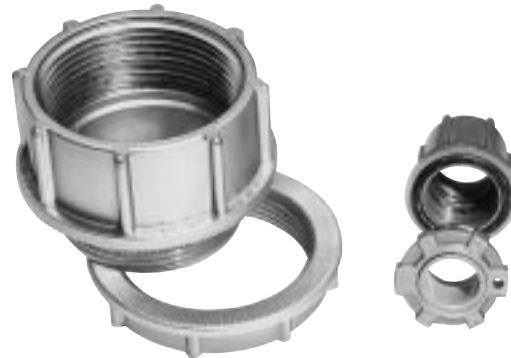


Box Coupling Device

NEMA Types:

- NEMA Type 1 — indoor, general purpose
- NEMA Type 3R — outdoor, rainproof
- NEMA Type 4, 4X, 5 — indoor or outdoor, watertight, dust-tight and corrosion-resistant (stainless steel)
- NEMA Type 4X — indoor or outdoor, watertight, dusttight and corrosion-resistant (fiberglass reinforced polyester enclosures)
- NEMA Type 7 — hazardous locations, Class I, Groups C and/or D
- NEMA Type 9 — hazardous locations, Class II, Groups E, F and/or G or Class III, Division 1 or 2
- NEMA Type 12, 12K — indoor, dusttight and dripproof
NEMA Type 12 has no knockouts (suitable for outdoor use)
NEMA Type 12K provided with knockouts.

- ½" through 4" zinc or chrome plated watertight hubs for field installation on NEMA Type 3R, 12 or 4, 4X, 5 stainless steel switches.



Watertight Hubs

Accessories

Bolt-on hubs for rainproof applications. Switches with RB suffix accept ¾" through 2½" bolt-on hubs. Switches with R suffix have blank top endwalls. RB devices may be coupled to raintight trough with a box coupling. F Series RB devices are compatible with 4" raintight trough only.



Bolt-On Hubs



Class R Fuse Kits

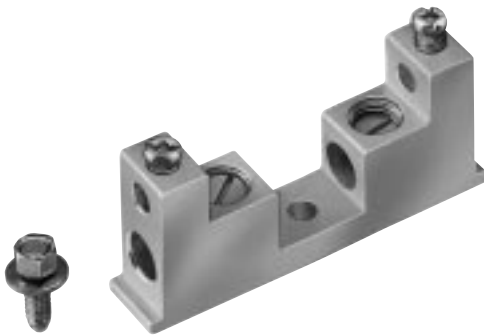


- Field installable, insulated, groundable solid neutral assemblies.



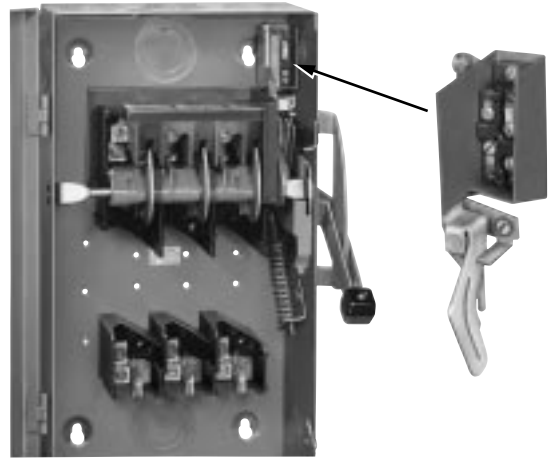
**Field Installable
Insulated, Groundable Neutral**

- Field installable equipment grounding kits.

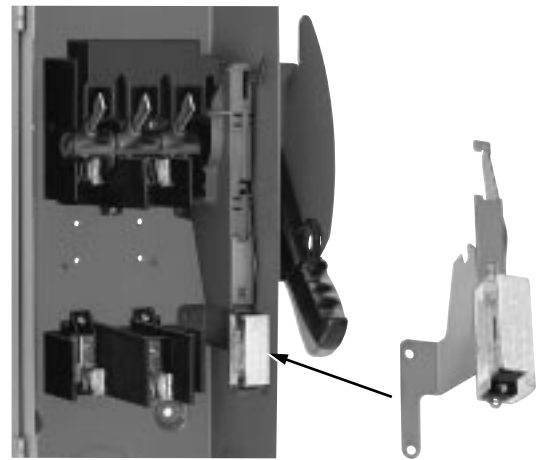


**Field Installable
Equipment Grounding Kit**

- Electrical interlocks are available for field or factory installation on switches through 1200 amperes. See page 6 for contact ratings.
- Optional compression lugs. Refer to page 6 for applicable options.



E Series



F Series

Technical Data:

Horsepower Ratings
Typical Horsepower Ratings: Check Catalog Number For Specific Ratings of Heavy Duty Safety Switches

Ampere Rating	Fusible												Not Fusible									
	240 Vac				480 Vac				600 Vac				Vdc		240 Vac		480 Vac		600 Vac		Vdc	
	Std.		Max.		Std.		Max.		Std.		Max.		250V	600V	Max.		Max.		Max.		250V	600V
	1PH	3PH	1PH	3PH	1PH	3PH	1PH	3PH	1PH	3PH	1PH	3PH			1PH	3PH	1PH	3PH	1PH	3PH		
30	1½	3	3	7½	3	5	7½	15	3	7.5	10	20	5	15	5	10	7½	20	10	30	5	15
60	3	7½	10	15	5	15	20	30	10	15	25	50	10	30	10	20	25	50	30	60	10	30
100	7½	15	15	30	10	25	30	60	15	30	40	75	20	50	20	40	40	75	40	75	20	50
200	15	25	...	60	25	50	50	125	30	60	50	150	40	50	...	60	...	125	...	150	40	50
400	...	50	...	125	...	100	...	250	...	125	...	350	50	125	...	250	...	350	50	...
600	...	75	...	200	...	150	...	400	...	200	...	500	200	...	400	...	500
800	50	100	50	250	50	200	50	500	50	250	50	500	50	50	50	250	50	500	50	500	50	50
1200	50	100	50	250	50	200	50	500	50	250	50	500	50	50	50	250	50	500	50	500	50	50

Short Circuit Withstand Ratings

Heavy Duty Safety Switch	UL Listed Fuse Class	UL Listed Short Circuit Withstand Rating †† (RMS Symmetrical Amperes)
Fusible or Not Fusible◊	H K	10,000
	R J L	200,000

◊ UL Listed, short-circuit withstand ratings as shown apply to not fusible switches when protected by the corresponding class fuse.

†† Short circuit withstand ratings apply to AC only.

Note: I²t and I_p values for Square D heavy duty safety switches are the same as published UL maximum acceptable I²t and I_p values for corresponding class fuse.

Electrical Interlock Ratings

Electrical interlocks for Heavy Duty Safety Switches are available factory installed or in kit form for field installation. A pivot arm operates from the switch mechanism, breaking the control circuit before the main switch blades break. Electrical interlock kits are UL Listed. Refer to current Square D Digest for appropriate electrical interlock catalog number.

Electrical Interlock Contact Ratings◊

Interlock Type	AC – 50 or 60 Hz				DC		
	Volts	Make	Break	Cont.	Volts	Make & Break	Cont.
1 NO/1 NC Contact (-1 Suffix)	120	40A	15A	15A	115	.50A	15A
	240	20A	10A	15A	230	.25A	15A
	480	10A	6A	15A	600	.05A	15A
	600	8A	5A	15A			
2 NO/2 NC Contacts (-2 Suffix)	120	30A	3.0A	10A	115	1.0A	10A
	240	15A	1.5A	10A	230	.30A	10A
	480	7.5A	.75A	10A	600	.10A	10A
	600	6.0A	.60A	10A			

◊ Single pole single throw interlock kits are rated 1/2 HP @ 110 and 220 Vac.
-1 Suffix utilizes a 9007A01 limit switch.
-2 Suffix utilizes a 9007C03 limit switch.

Terminal Lug Data For NEMA Type 1, 3R, and 4X Switches

Ampere Rating	NEMA Type Enclosure	Conductors Per Phase	Wire Range Wire Bending Space Per NEC Table 373-6	Lug Wire Range▲	Optional VERSA-CRIMP® Compression Lug Field Installable
30	1, 3R, 4X■	1	#12-6 AWG (Al) or #14-6 AWG (Cu)	#12-2 AWG (Al) or #14-2 AWG (Cu)	...
60	1, 3R, 4X■	1	#12-3 AWG (Al) or #14-3 AWG (Cu)	#12-2 AWG (Al) or #14-2 AWG (Cu)	...
100	1, 3R, 4X■	1	#12-1/0 AWG (Al) or #14-1/0 AWG (Cu)	#12-1/0 AWG (Al) or #14-1/0 AWG (Cu)	VCEL-021-14S1
200	1, 3R	1	#6 AWG – 250 kcmil (Al/Cu)	#6 AWG – 300 kcmil (Al/Cu)	VCEL-030-516H
400	1, 3R	1 or 2	#1/0 AWG – 750 kcmil (Al/Cu) or #1/0 AWG – 300 kcmil (Al/Cu)	#1/0 AWG – 750 kcmil (Al/Cu) and #1/0 AWG – 300 kcmil (Al/Cu)	VCEL-075-12H1 or VCEL-030-516H1 and VCEL-050-12H1
600	1, 3R	2	#3/0 AWG – 500 kcmil (Al/Cu)	#3/0 AWG – 500 kcmil (Al/Cu)	VCEL-050-12H1
800	1, 3R/5	3	#3/0 AWG – 750 kcmil (Al/Cu)	#3/0 AWG – 750 kcmil (Al/Cu)	H8LKE2
1200	1, 3R/5	4	#3/0 AWG – 750 kcmil (Al/Cu)	#3/0 AWG – 750 kcmil (Al/Cu)	H12LKE2

▲ 30-100 ampere switches suitable for 60°C or 75°C conductors. 200-1200 ampere switches suitable for 75°C conductors.

■ 4X Fiberglass Reinforced Polyester and KRYDON® Switches.



Terminal Lug Data For NEMA Type 4, 4X, 5, 7, 9, 12, and 12K Switches

Ampere Rating	NEMA Type Enclosure	Conductors Per Phase	Wire Range Wire Bending Space Per NEC Table 373-6	Lug Wire Range▲	Optional VERSA-CRIMP® Compression Lug Field Installable
30	4, 4X, 5■ 12, 12K	1	#14-6 AWG (Cu)	#14-4 AWG (Cu)	...
60	4, 4X, 5■ 12, 12K	1	#14-4 AWG (Cu)□	#14-4 AWG (Cu)	...
100	4, 4X, 5■ 12, 12K	1	#14-1 AWG (Cu)	#14-1/0 AWG (Cu)	VCEL-021-14S1
200	4, 4X, 5■ 12, 12K	1	#6 AWG – 250 kcmil (Cu)◆	#6 AWG – 250 kcmil (Cu)	VCEL-030-516H1
400	4, 4X 5, 12	1 or 2	#1/0 AWG – 600 kcmil (Cu) or #6 AWG – 250 kcmil (Cu)	#1 AWG – 600 kcmil (Cu) or #1 AWG – 250 kcmil (Cu)	VCEL-075-12H1 or VCEL-030-516H1 and VCEL-050-12H1
600	4, 4X 5, 12	2	#4 AWG – 350 kcmil (Cu)	#4 AWG – 350 kcmil (Cu)	VCEL-050-12H1
800	12	3	#3/0 AWG – 750 kcmil (Al/Cu)	#3/0 AWG – 750 kcmil (Al/Cu)	H8LKE2
1200	12	4	#3/0 AWG – 750 kcmil (Al/Cu)	#3/0 AWG – 750 kcmil (Al/Cu)	H12LKE2

■ NEMA Type 4, 4X & 5 stainless steel.

□ H60XFA – #14-6 AWG (Cu).

◆ H225XKA – #4 AWG-300 kcmil (Cu).

▲ 30-100 Amp switches suitable for 60°C or 75°C conductors. 200-1200 Amp switches suitable for 75°C conductors.

Conduit Provisions – NEMA Type 4X Fiberglass Reinforced Polyester and KRYDON® NEMA Type 7 and 9 Switches

Ampere Rating	Top Endwall		Bottom Endwall	
	NEMA Type 4X Fiberglass Reinforced Polyester and KRYDON△	NEMA Type 7 and 9◇	NEMA Type 4X Fiberglass Reinforced Polyester and KRYDON△	NEMA Type 7 and 9◇
30	3/4"	3/4"	3/4"	3/4"
60	1 1/4"	1 1/4"	1 1/4"	1 1/4"
100	2"	2"	2"	2"
200	2 1/2"	2 1/2"	2 1/2"	2 1/2"

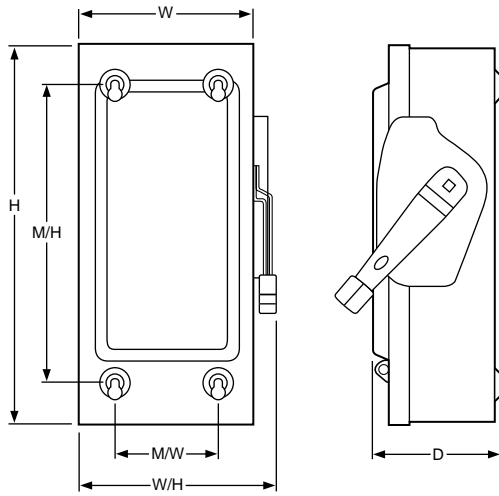
△ Hubs and hub drilling templates are provided for field installation.

◇ Threaded conduit opening.

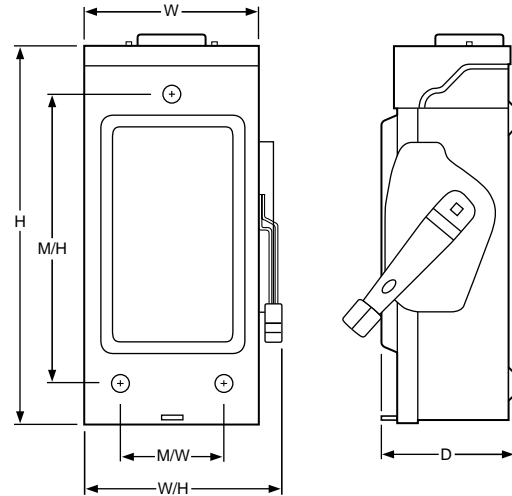


Dimensions NEMA Type 1 and 3R

E Series



Typical NEMA Type 1



Typical NEMA Type 3R

Catalog Numbers	Overall Dimensions IN/mm ± 1/16											Knockouts				
	H		M/H		W		W/H		M/W		D	Top & Bottom ■		Sides	Back	
	IN	mm	IN	mm	IN	mm	IN	mm	IN	mm	IN	mm				
30 Ampere																
H221N	14.25	362	11.13	283	6.50	165	7.25	184	3.75	95	4.63	118	2-1/2, 3/4, 1	1-1/2, 3/4, 1, 1 1/4	2-1/2, 3/4, 1	1-1/2, 3/4, 1
H221NRB	15.25	387	11.00	279	6.50	165	7.50	191	3.75	95	4.75	121	2-1/2, 3/4, 1	1-1/2, 3/4, 1, 1 1/4	1-1/2, 3/4, 1	1-1/2, 3/4, 1
H321N	14.25	362	11.13	283	6.50	165	7.25	184	3.75	95	4.63	118	2-1/2, 3/4, 1	1-1/2, 3/4, 1, 1 1/4	2-1/2, 3/4, 1	1-1/2, 3/4, 1
H321NRB	15.25	387	11.00	279	6.50	165	7.50	191	3.75	95	4.75	121	2-1/2, 3/4, 1	1-1/2, 3/4, 1, 1 1/4	1-1/2, 3/4, 1	1-1/2, 3/4, 1
H361	14.25	362	11.13	283	6.50	165	7.25	184	3.75	95	4.63	118	2-1/2, 3/4, 1	1-1/2, 3/4, 1, 1 1/4	2-1/2, 3/4, 1	1-1/2, 3/4, 1
H361N	14.25	362	11.13	283	6.50	165	7.25	184	3.75	95	4.63	118	2-1/2, 3/4, 1	1-1/2, 3/4, 1, 1 1/4	2-1/2, 3/4, 1	1-1/2, 3/4, 1
H361NRB	15.25	387	11.00	279	6.50	165	7.50	191	3.75	95	4.75	121	2-1/2, 3/4, 1	1-1/2, 3/4, 1, 1 1/4	1-1/2, 3/4, 1	1-1/2, 3/4, 1
H361RB	15.25	387	11.00	279	6.50	165	7.50	191	3.75	95	4.75	121	2-1/2, 3/4, 1	1-1/2, 3/4, 1, 1 1/4	1-1/2, 3/4, 1	1-1/2, 3/4, 1
H461▲	20.50	521	21.25	540	14.75	375	16.13	410	12.00	305	6.85	174
HU361	14.25	362	11.13	283	6.50	165	7.25	184	3.75	95	4.63	118	2-1/2, 3/4, 1	1-1/2, 3/4, 1, 1 1/4	2-1/2, 3/4, 1	1-1/2, 3/4, 1
HU361-EI	14.25	362	11.13	283	6.50	165	7.25	184	3.75	95	4.63	118	2-1/2, 3/4, 1	1-1/2, 3/4, 1, 1 1/4	2-1/2, 3/4, 1	1-1/2, 3/4, 1
HU361RB	15.25	387	11.00	279	6.50	165	7.50	191	3.75	95	4.75	121	2-1/2, 3/4, 1	1-1/2, 3/4, 1, 1 1/4	1-1/2, 3/4, 1	1-1/2, 3/4, 1
HU361RB-EI	15.25	387	11.00	279	6.50	165	7.50	191	3.75	95	4.75	121	2-1/2, 3/4, 1	1-1/2, 3/4, 1, 1 1/4	1-1/2, 3/4, 1	1-1/2, 3/4, 1
HU461▲	20.50	521	21.25	540	14.75	375	16.13	410	12.00	305	6.85	174

■ Top of NEMA Type 3R switches have a provision for maximum 2 1/2" bolt-on hub.

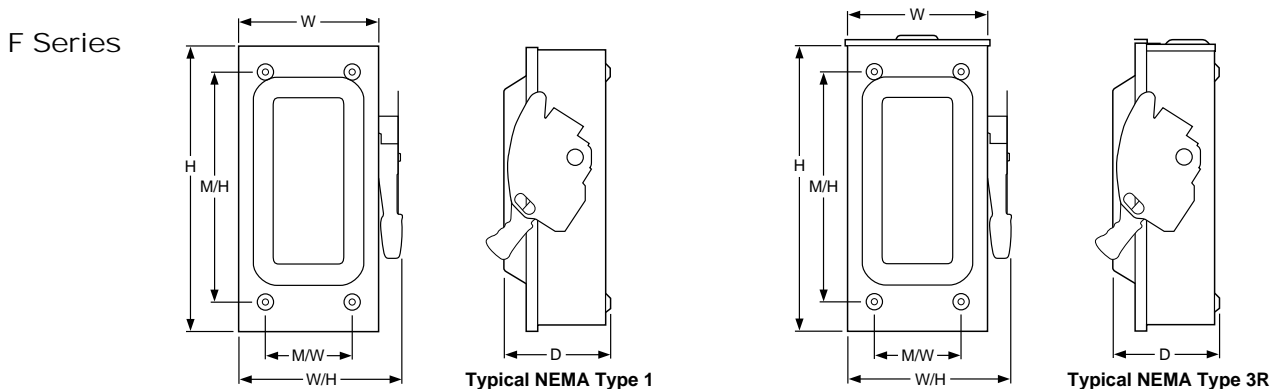
▲ F Series Switch



Dimensions NEMA Type 1 and 3R

Catalog Numbers	Overall Dimensions IN/mm ± 1/16												Knockouts			
	H		M/H		W		W/H		M/W		D		Top & Bottom ■	Sides	Back	
	IN	mm	IN	mm	IN	mm	IN	mm	IN	mm	IN	mm				
60 Ampere																
H222N▲	17.50	445	14.75	375	9.00	229	10.50	267	5.38	137	6.38	162	2-1/2, 3/4, 1	1-1/2, 3/4, 1, 1 1/4	2-1/2, 3/4, 1, 1 1/4	2-1/2, 3/4, 1, 1 1/4
H222NRB▲	17.50	445	14.75	375	9.00	229	10.50	267	5.38	137	6.38	162	2-1/2, 3/4, 1	1-1/2, 3/4, 1, 1 1/4	1-1/2, 3/4, 1, 1 1/4	1-1/2, 3/4, 1, 1 1/4
H322N▲	17.50	445	14.75	375	9.00	229	10.50	267	5.38	137	6.38	162	2-1/2, 3/4, 1	1-1/2, 3/4, 1, 1 1/4	2-1/2, 3/4, 1, 1 1/4	2-1/2, 3/4, 1, 1 1/4
H322NRB▲	17.50	445	14.75	375	9.00	229	10.50	267	5.38	137	6.38	162	2-1/2, 3/4, 1	1-1/2, 3/4, 1, 1 1/4	1-1/2, 3/4, 1, 1 1/4	1-1/2, 3/4, 1, 1 1/4
H362▲	17.50	445	14.75	375	9.00	229	10.50	267	5.38	137	6.38	162	2-1/2, 3/4, 1	1-1/2, 3/4, 1, 1 1/4	2-1/2, 3/4, 1, 1 1/4	2-1/2, 3/4, 1, 1 1/4
H362N▲	17.50	445	14.75	375	9.00	229	10.50	267	5.38	137	6.38	162	2-1/2, 3/4, 1	1-1/2, 3/4, 1, 1 1/4	2-1/2, 3/4, 1, 1 1/4	2-1/2, 3/4, 1, 1 1/4
H362NRB▲	17.50	445	14.75	375	9.00	229	10.50	267	5.38	137	6.38	162	2-1/2, 3/4, 1	1-1/2, 3/4, 1, 1 1/4	1-1/2, 3/4, 1, 1 1/4	1-1/2, 3/4, 1, 1 1/4
H362RB▲	17.50	445	14.75	375	9.00	229	10.50	267	5.38	137	6.38	162	2-1/2, 3/4, 1	1-1/2, 3/4, 1, 1 1/4	1-1/2, 3/4, 1, 1 1/4	1-1/2, 3/4, 1, 1 1/4
H462▲	20.50	521	21.25	540	14.75	375	16.13	410	12.00	305	6.85	174
HU362▲	17.50	445	14.75	375	9.00	229	10.50	267	5.38	137	6.38	162	2-1/2, 3/4, 1	1-1/2, 3/4, 1, 1 1/4	2-1/2, 3/4, 1, 1 1/4	2-1/2, 3/4, 1, 1 1/4
HU362RB▲	17.50	445	14.75	375	9.00	229	10.50	267	5.38	137	6.38	162	2-1/2, 3/4, 1	1-1/2, 3/4, 1, 1 1/4	1-1/2, 3/4, 1, 1 1/4	1-1/2, 3/4, 1, 1 1/4
HU462▲	20.50	521	21.25	540	14.75	375	16.13	410	12.00	305	6.85	174
100 Ampere																
H223N▲	21.25	540	14.75	375	8.50	216	10.50	267	5.38	137	6.38	162	2-1/2, 3/4, 1	1-1/2, 3/4, 1, 1 1/4	2-1/2, 3/4, 1, 1 1/4	2-1/2, 3/4, 1, 1 1/4
H223NRB▲	21.25	540	14.75	375	8.50	216	10.50	267	5.38	137	6.38	162	2-1/2, 3/4, 1	1-1/2, 3/4, 1, 1 1/4	1-1/2, 3/4, 1, 1 1/4	1-1/2, 3/4, 1, 1 1/4
H323N▲	21.25	540	14.75	375	8.50	216	10.50	267	5.38	137	6.38	162	2-1/2, 3/4, 1	1-1/2, 3/4, 1, 1 1/4	2-1/2, 3/4, 1, 1 1/4	2-1/2, 3/4, 1, 1 1/4
H323NRB▲	21.25	540	14.75	375	8.50	216	10.50	267	5.38	137	6.38	162	2-1/2, 3/4, 1	1-1/2, 3/4, 1, 1 1/4	1-1/2, 3/4, 1, 1 1/4	1-1/2, 3/4, 1, 1 1/4
H363▲	21.25	540	14.75	375	8.50	216	10.50	267	5.38	137	6.38	162	2-1/2, 3/4, 1	1-1/2, 3/4, 1, 1 1/4	2-1/2, 3/4, 1, 1 1/4	2-1/2, 3/4, 1, 1 1/4
H363N▲	21.25	540	14.75	375	8.50	216	10.50	267	5.38	137	6.38	162	2-1/2, 3/4, 1	1-1/2, 3/4, 1, 1 1/4	2-1/2, 3/4, 1, 1 1/4	2-1/2, 3/4, 1, 1 1/4
H363NRB▲	21.25	540	14.75	375	8.50	216	10.50	267	5.38	137	6.38	162	2-1/2, 3/4, 1	1-1/2, 3/4, 1, 1 1/4	1-1/2, 3/4, 1, 1 1/4	1-1/2, 3/4, 1, 1 1/4
H363RB▲	21.25	540	14.75	375	8.50	216	10.50	267	5.38	137	6.38	162	2-1/2, 3/4, 1	1-1/2, 3/4, 1, 1 1/4	1-1/2, 3/4, 1, 1 1/4	1-1/2, 3/4, 1, 1 1/4
H463▲	20.50	521	21.25	540	14.75	375	16.13	410	12.00	305	6.85	174
HU363▲	21.25	540	14.75	375	8.50	216	10.50	267	5.38	137	6.38	162	2-1/2, 3/4, 1	1-1/2, 3/4, 1, 1 1/4	2-1/2, 3/4, 1, 1 1/4	2-1/2, 3/4, 1, 1 1/4
HU363RB▲	21.25	540	14.75	375	8.50	216	10.50	267	5.38	137	6.38	162	2-1/2, 3/4, 1	1-1/2, 3/4, 1, 1 1/4	1-1/2, 3/4, 1, 1 1/4	1-1/2, 3/4, 1, 1 1/4
HU463▲	20.50	521	21.25	540	14.75	375	16.13	410	12.00	305	6.85	174
200 Ampere																
H224N	27.38	695	18.50	470	12.88	327	14.38	365	9.00	229	7.50	191	2-1, 1 1/4, 1 1/2, 2	1-1 1/2, 2, 2 1/2, 3	2-1 1/4, 1 1/2, 2, 2 1/2	1-1 1/4, 1 1/2, 2, 2 1/2
H224NRB	27.38	695	18.50	470	13.13	334	14.75	375	9.00	229	7.75	197	2-1, 1 1/4, 1 1/2, 2	1-1 1/2, 2, 2 1/2, 3	1-1 1/4, 1 1/2, 2, 2 1/2	1-1 1/4, 1 1/2, 2, 2 1/2
H324N	27.38	695	18.50	470	12.88	327	14.38	365	9.00	229	7.50	191	2-1, 1 1/4, 1 1/2, 2	1-1 1/2, 2, 2 1/2, 3	2-1 1/4, 1 1/2, 2, 2 1/2	1-1 1/4, 1 1/2, 2, 2 1/2
H324NRB	27.38	695	18.50	470	13.13	334	14.75	375	9.00	229	7.75	197	2-1, 1 1/4, 1 1/2, 2	1-1 1/2, 2, 2 1/2, 3	1-1 1/4, 1 1/2, 2, 2 1/2	1-1 1/4, 1 1/2, 2, 2 1/2
H364	27.38	695	18.50	470	12.88	327	14.38	365	9.00	229	7.50	191	2-1, 1 1/4, 1 1/2, 2	1-1 1/2, 2, 2 1/2, 3	2-1 1/4, 1 1/2, 2, 2 1/2	1-1 1/4, 1 1/2, 2, 2 1/2
H364N	27.38	695	19.06	484	16.25	413	17.38	441	11.50	292	7.50	191	2-1 1/4, 1 1/2, 2, 2 1/2	1-1 1/2, 2, 2 1/2, 3	2-1 1/4, 1 1/2, 2, 2 1/2	1-1 1/2, 2, 2 1/2, 3
H364NRB	27.50	699	19.06	484	16.13	410	18.00	457	11.50	292	7.75	197	2-1, 1 1/4, 1 1/2, 2	1-1 1/2, 2, 2 1/2, 3	1-1 1/4, 1 1/2, 2, 2 1/2	1-1 1/4, 1 1/2, 2, 2 1/2
H364RB	27.38	695	18.50	470	13.13	334	14.75	375	9.00	229	7.75	197	2-1, 1 1/4, 1 1/2, 2	1-1 1/2, 2, 2 1/2, 3	1-1 1/4, 1 1/2, 2, 2 1/2	1-1 1/4, 1 1/2, 2, 2 1/2
H464	27.38	695	19.06	484	16.25	413	17.38	441	11.50	292	7.50	191	2-1 1/4, 1 1/2, 2, 2 1/2	1-1 1/2, 2, 2 1/2, 3	2-1 1/4, 1 1/2, 2, 2 1/2	1-1 1/2, 2, 2 1/2, 3
HU364	27.38	695	18.50	470	12.88	327	14.38	365	9.00	229	7.50	191	2-1, 1 1/4, 1 1/2, 2	1-1 1/2, 2, 2 1/2, 3	2-1 1/4, 1 1/2, 2, 2 1/2	1-1 1/4, 1 1/2, 2, 2 1/2
HU364RB	27.38	695	18.50	470	13.13	334	14.75	375	9.00	229	7.75	197	2-1, 1 1/4, 1 1/2, 2	1-1 1/2, 2, 2 1/2, 3	1-1 1/4, 1 1/2, 2, 2 1/2	1-1 1/4, 1 1/2, 2, 2 1/2
HU464	27.38	695	19.06	484	16.25	413	17.38	441	11.50	292	7.50	191	2-1 1/4, 1 1/2, 2, 2 1/2	1-1 1/2, 2, 2 1/2, 3	2-1 1/4, 1 1/2, 2, 2 1/2	1-1 1/2, 2, 2 1/2, 3

■ Top of NEMA Type 3R switches have a provision for maximum 2 1/2" bolt-on hub.
▲ F Series Switch



Dimensions

NEMA Type 1 and 3R

Catalog Numbers	Overall Dimensions IN/mm ± 1/16											
	H		M/H		W		W/H		M/W		D	
	IN	mm	IN	mm	IN	mm	IN	mm	IN	mm	IN	mm
400 Ampere												
H225	50.25	1276	32.00	813	27.63	702	27.63	702	17.44	443	10.13	257
H225R	50.31	1278	32.00	813	27.88	708	27.88	708	17.44	443	10.13	257
H225N	50.25	1276	32.00	813	27.63	702	27.63	702	17.44	443	10.13	257
H225NR	50.31	1278	32.00	813	27.88	708	27.88	708	17.44	443	10.13	257
H265	50.25	1276	32.00	813	27.63	702	27.63	702	17.44	443	10.13	257
H265R	50.31	1278	32.00	813	27.88	708	27.88	708	17.44	443	10.13	257
H325	50.25	1276	32.00	813	27.63	702	27.63	702	17.44	443	10.13	257
H325R	50.31	1278	32.00	813	27.88	708	27.88	708	17.44	443	10.13	257
H325N	50.25	1276	32.00	813	27.63	702	27.63	702	17.44	443	10.13	257
H325NR	50.31	1278	32.00	813	27.88	708	27.88	708	17.44	443	10.13	257
H365	50.25	1276	32.00	813	27.63	702	27.63	702	17.44	443	10.13	257
H365R	50.31	1278	32.00	813	27.88	708	27.88	708	17.44	443	10.13	257
H365N	50.25	1276	32.00	813	27.63	702	27.63	702	17.44	443	10.13	257
H365NR	50.31	1278	32.00	813	27.88	708	27.88	708	17.44	443	10.13	257
H465	50.25	1276	32.00	813	33.88	861	33.88	861	23.63	600	10.13	257
HU265	50.25	1276	32.00	813	27.63	702	27.63	702	17.44	443	10.13	257
HU265R	50.31	1278	32.00	813	27.88	708	27.88	708	17.44	443	10.13	257
HU365	50.25	1276	32.00	813	27.63	702	27.63	702	17.44	443	10.13	257
HU365R	50.31	1278	32.00	813	27.88	708	27.88	708	17.44	443	10.13	257
HU465	50.25	1276	32.00	813	33.88	861	33.88	861	23.63	600	10.13	257
600 Ampere												
H226	50.25	1276	32.00	813	27.63	702	27.63	702	17.44	443	10.13	257
H226R	50.31	1278	32.00	813	27.88	708	27.88	708	17.44	443	10.13	257
H226N	50.25	1276	32.00	813	27.63	702	27.63	702	17.44	443	10.13	257
H226NR	50.31	1278	32.00	813	27.88	708	27.88	708	17.44	443	10.13	257
H266	50.25	1276	32.00	813	27.63	702	27.63	702	17.44	443	10.13	257
H266R	50.31	1278	32.00	813	27.88	708	27.88	708	17.44	443	10.13	257
H326	50.25	1276	32.00	813	27.63	702	27.63	702	17.44	443	10.13	257
H326R	50.31	1278	32.00	813	27.88	708	27.88	708	17.44	443	10.13	257
H326N	50.25	1276	32.00	813	27.63	702	27.63	702	17.44	443	10.13	257
H326NR	50.31	1278	32.00	813	27.88	708	27.88	708	17.44	443	10.13	257
H366	50.25	1276	32.00	813	27.63	702	27.63	702	17.44	443	10.13	257
H366R	50.31	1278	32.00	813	27.88	708	27.88	708	17.44	443	10.13	257
H366N	50.25	1276	32.00	813	27.63	702	27.63	702	17.44	443	10.13	257
H366NR	50.31	1278	32.00	813	27.88	708	27.88	708	17.44	443	10.13	257
H466	50.25	1276	32.00	813	33.88	861	33.88	861	23.63	600	10.13	257
HU266	50.25	1276	32.00	813	27.63	702	27.63	702	17.44	443	10.13	257
HU266R	50.31	1278	32.00	813	27.88	708	27.88	708	17.44	443	10.13	257
HU366	50.25	1276	32.00	813	27.63	702	27.63	702	17.44	443	10.13	257
HU366R	50.31	1278	32.00	813	27.88	708	27.88	708	17.44	443	10.13	257
HU466	50.25	1276	32.00	813	33.88	861	33.88	861	23.63	600	10.13	257



Dimensions NEMA Type 1 and 3R

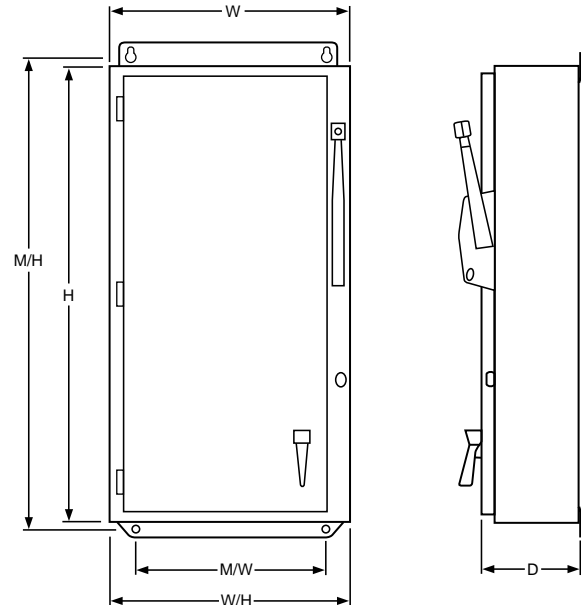
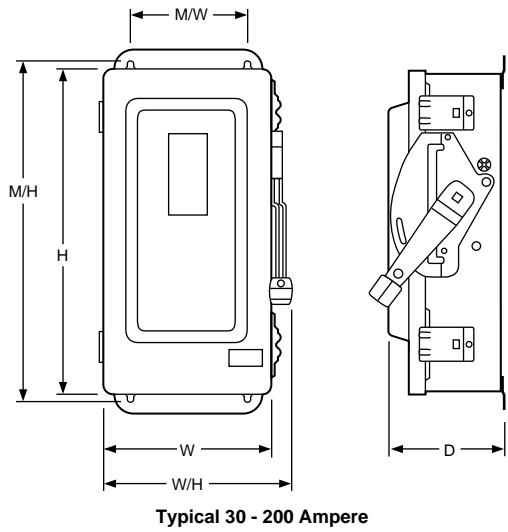
Catalog Numbers	Overall Dimensions IN/mm \pm 1/16											
	H		M/H		W		W/H		M/W		D	
	IN	mm	IN	mm	IN	mm	IN	mm	IN	mm	IN	mm
800 Ampere												
H227	69.13	1756	45.00	1143	36.62	930	36.62	930	24.00	610	17.75	451
H227R	69.13	1756	45.00	1143	36.62	930	36.62	930	24.00	610	17.75	451
H227N	69.13	1756	45.00	1143	36.62	930	36.62	930	24.00	610	17.75	451
H227NR	69.13	1756	45.00	1143	36.62	930	36.62	930	24.00	610	17.75	451
H267	69.13	1756	45.00	1143	36.62	930	36.62	930	24.00	610	17.75	451
H267R	69.13	1756	45.00	1143	36.62	930	36.62	930	24.00	610	17.75	451
H327	69.13	1756	45.00	1143	36.62	930	36.62	930	24.00	610	17.75	451
H327R	69.13	1756	45.00	1143	36.62	930	36.62	930	24.00	610	17.75	451
H327N	69.13	1756	45.00	1143	36.62	930	36.62	930	24.00	610	17.75	451
H327NR	69.13	1756	45.00	1143	36.62	930	36.62	930	24.00	610	17.75	451
H367	69.13	1756	45.00	1143	36.62	930	36.62	930	24.00	610	17.75	451
H367R	69.13	1756	45.00	1143	36.62	930	36.62	930	24.00	610	17.75	451
H367N	69.13	1756	45.00	1143	36.62	930	36.62	930	24.00	610	17.75	451
H367NR	69.13	1756	45.00	1143	36.62	930	36.62	930	24.00	610	17.75	451
HU267	69.13	1756	45.00	1143	36.62	930	36.62	930	24.00	610	17.75	451
HU267R	69.13	1756	45.00	1143	36.62	930	36.62	930	24.00	610	17.75	451
HU367	69.13	1756	45.00	1143	36.62	930	36.62	930	24.00	610	17.75	451
HU367R	69.13	1756	45.00	1143	36.62	930	36.62	930	24.00	610	17.75	451
1200 Ampere												
H228	69.13	1756	45.00	1143	36.62	930	36.62	930	24.00	610	17.75	451
H228R	69.13	1756	45.00	1143	36.62	930	36.62	930	24.00	610	17.75	451
H228N	69.13	1756	45.00	1143	36.62	930	36.62	930	24.00	610	17.75	451
H228NR	69.13	1756	45.00	1143	36.62	930	36.62	930	24.00	610	17.75	451
H268	69.13	1756	45.00	1143	36.62	930	36.62	930	24.00	610	17.75	451
H268R	69.13	1756	45.00	1143	36.62	930	36.62	930	24.00	610	17.75	451
H328	69.13	1756	45.00	1143	36.62	930	36.62	930	24.00	610	17.75	451
H328R	69.13	1756	45.00	1143	36.62	930	36.62	930	24.00	610	17.75	451
H328N	69.13	1756	45.00	1143	36.62	930	36.62	930	24.00	610	17.75	451
H328NR	69.13	1756	45.00	1143	36.62	930	36.62	930	24.00	610	17.75	451
H368	69.13	1756	45.00	1143	36.62	930	36.62	930	24.00	610	17.75	451
H368R	69.13	1756	45.00	1143	36.62	930	36.62	930	24.00	610	17.75	451
H368N	69.13	1756	45.00	1143	36.62	930	36.62	930	24.00	610	17.75	451
H368NR	69.13	1756	45.00	1143	36.62	930	36.62	930	24.00	610	17.75	451
HU268	69.13	1756	45.00	1143	36.62	930	36.62	930	24.00	610	17.75	451
HU268R	69.13	1756	45.00	1143	36.62	930	36.62	930	24.00	610	17.75	451
HU368	69.13	1756	45.00	1143	36.62	930	36.62	930	24.00	610	17.75	451
HU368R	69.13	1756	45.00	1143	36.62	930	36.62	930	24.00	610	17.75	451



Dimensions

NEMA Type 4, 4X and 5 Stainless Steel, Nema Type 12, 12K

E Series



Catalog Numbers			Overall Dimensions in/mm ± 1/16											Knockouts NEMA Type 12K Only Top and Bottom Only	
NEMA Type 12K With Knockouts	NEMA Type 12 Without Knockouts	NEMA Type 4, 4X, and 5 Stainless Steel Type 304	H		M/H		W		W/H		M/W		D		
			IN	mm	IN	mm	IN	mm	IN	mm	IN	mm	IN		mm
30 Ampere															
H221A	H221AWK	H221DS	14.75	375	15.50	394	6.75	171	7.63	194	3.75	95	5.13	130	1-1/2, 3/4, 1, 1 1/4
H321A	H321AWK	H321DS	14.75	375	15.50	394	6.75	171	7.63	194	3.75	95	5.13	130	1-1/2, 3/4, 1, 1 1/4
...	H221-2AWK	...	16.63	422	17.25	438	8.13	207	9.00	229	5.13	130	6.13	156	...
H361A	H361AWK	H361DS	14.75	375	15.50	394	6.75	171	7.63	194	3.75	95	5.13	130	1-1/2, 3/4, 1, 1 1/4
H361-2A	H361-2AWK	...	16.63	422	17.25	438	8.13	207	9.00	229	5.13	130	6.13	156	1-1/2, 3/4, 1, 1 1/4
...	H461AWK▲	...	20.50	521	21.25	540	14.75	375	16.13	410	12.00	305	6.80	173	...
HU361A	HU361AWK	HU361DS	14.75	375	15.50	394	6.75	171	7.63	194	3.75	95	5.13	130	1-1/2, 3/4, 1, 1 1/4
HU361A-EI	HU361AWK-EI	HU361DS-EI	14.75	375	15.50	394	6.75	171	7.63	194	3.75	95	5.13	130	1-1/2, 3/4, 1, 1 1/4
...	HU461AWK	HU461DS	16.63	422	17.25	438	9.88	251	11.00	279	7.06	179	6.13	156	...
...	HU661AWK▲	...	20.50	521	21.25	540	14.75	375	16.13	410	12.00	305	6.80	173	...
60 Ampere															
H222A▲	H222AWK▲	...	16.50	419	17.31	440	9.00	229	10.50	267	5.13	130	7.00	178	1-1, 1 1/4, 1 1/2, 2
H322A▲	H322AWK▲	...	16.50	419	17.31	440	9.00	229	10.50	267	5.13	130	7.00	178	1-1, 1 1/4, 1 1/2, 2
...	...	H222DS	16.63	422	17.38	441	8.13	207	9.00	229	5.13	130	6.13	156	...
...	...	H322DS	16.63	422	17.38	441	8.13	207	9.00	229	5.13	130	6.13	156	...
H362A▲	H362AWK▲	...	16.50	419	17.31	440	9.00	229	10.50	267	5.13	130	7.00	178	1-1, 1 1/4, 1 1/2, 2
...	...	H362DS	16.63	422	17.38	441	8.13	207	9.00	229	5.13	130	6.13	156	...
...	H462AWK▲	...	20.50	521	21.25	540	14.75	375	16.13	410	12.00	305	6.80	173	...
HU362A▲	HU362AWK▲	...	16.50	419	17.31	440	9.00	229	10.50	267	5.13	130	7.00	178	1-1, 1 1/4, 1 1/2, 2
...	...	HU362DS	16.63	422	17.38	441	8.13	207	9.00	229	5.13	130	6.13	156	...
...	HU462AWK▲	...	20.50	521	21.25	540	14.75	375	16.13	410	12.00	305	6.80	173	...
...	...	HU462DS	16.63	422	17.38	441	9.87	251	11.00	279	7.06	179	6.13	156	...
...	HU662AWK▲	...	20.50	521	21.25	540	14.75	375	16.13	410	12.00	305	6.80	173	...
...	...	HU662DS	19.25	489	20.50	521	17.25	438	18.50	470	14.50	368	6.25	159	...

▲ F Series Switches



Dimensions

NEMA Type 4, 4X and 5 Stainless Steel, NEMA Type 12, 12K

Catalog Numbers			Overall Dimensions in/mm ± 1/16												Knockouts NEMA Type 12K Only Top and Bottom Only
NEMA Type 12K With Knockouts	NEMA Type 12 Without Knockouts	NEMA Type 4, 4X, and 5 Stainless Steel Type 304	H		M/H		W		W/H		M/W		D		
			IN	mm	IN	mm	IN	mm	IN	mm	IN	mm	IN	mm	
100 Ampere															
H223A▲	H223AWK▲	...	20.50	521	21.25	540	9.00	229	10.50	267	5.12	130	7.00	178	1-1,1¼,1½,2
...	...	H223DS	20.62	524	21.25	540	10.38	264	11.50	292	7.50	190	6.50	165	...
H323A▲	H323AWK▲	...	20.50	521	21.25	540	9.00	229	10.50	267	5.12	130	7.00	178	1-1,1¼,1½,2
...	...	H323DS	20.62	524	21.25	540	10.38	264	11.50	292	7.50	190	6.50	165	...
H363A▲	H363AWK▲	...	20.50	521	21.25	540	9.00	229	10.50	267	5.12	130	7.00	178	1-1,1¼,1½,2
...	...	H363DS	20.62	524	21.25	540	10.38	264	11.50	292	7.50	190	6.50	165	...
...	H463AWK▲	...	20.50	521	21.25	540	14.75	375	16.13	410	12.00	305	6.80	173	...
...	H663AWK▲	...	20.50	521	21.25	540	14.75	375	16.13	410	12.00	305	6.80	173	...
HU363A▲	HU363AWK▲	...	20.50	521	21.25	540	9.00	229	10.50	267	5.12	130	7.00	178	1-1,1¼,1½,2
...	...	HU363DS	20.62	524	21.25	540	10.38	264	11.50	292	7.50	190	6.50	165	...
...	HU463AWK▲	...	20.50	521	21.25	540	14.75	375	16.13	410	12.00	305	6.80	173	...
...	HU663AWK▲	...	20.50	521	21.25	540	14.75	375	16.13	410	12.00	305	6.80	173	...
200 Ampere															
H224A	H224AWK	H224DS	27.63	702	28.25	718	13.13	333	14.25	362	10.25	260	8.00	203	1-1½,2,2½,3
H324A	H324AWK	H324DS	27.63	702	28.25	718	13.13	333	14.25	362	10.25	260	8.00	203	1-1½,2,2½,3
H364A	H364AWK	H364DS	27.63	702	28.25	718	13.13	333	14.25	362	10.25	260	8.00	203	1-1½,2,2½,3
H364NA	H364NAWK	H364NDS	27.63	702	28.25	718	16.25	413	17.50	445	13.50	343	8.00	203	1-1½,2,2½,3
...	H464AWK	H464DS	27.63	702	28.25	718	16.25	413	17.50	445	13.50	343	8.00	203	...
HU364A	HU364AWK	HU364DS	27.63	702	28.25	718	13.13	333	14.25	362	10.25	260	8.00	203	1-1½,2,2½,3
...	HU464AWK	HU464DS	27.63	702	28.25	718	16.25	413	17.50	445	13.50	343	8.00	203	...
400 Ampere															
...	H225AWK	H225DS	46.25	1175	48.00	1219	26.25	667	26.25	667	23.00	584	9.75	248	...
...	H225NAWK	H225NDS	46.25	1175	48.00	1219	26.25	667	26.25	667	23.00	584	9.75	248	...
...	H265AWK	H265DS	46.25	1175	48.00	1219	26.25	667	26.25	667	23.00	584	9.75	248	...
...	H325AWK	H325DS	46.25	1175	48.00	1219	26.25	667	26.25	667	23.00	584	9.75	248	...
...	H325NAWK	H235NDS	46.25	1175	48.00	1219	26.25	667	26.25	667	23.00	584	9.75	248	...
...	H365AWK	H365DS	46.25	1175	48.00	1219	26.25	667	26.25	667	23.00	584	9.75	248	...
...	H365NAWK	H365NDS	46.25	1175	48.00	1219	26.25	667	26.25	667	23.00	584	9.75	248	...
...	H465AWK	...	46.25	1175	48.00	1219	32.50	826	32.50	826	29.13	740	9.75	248	...
...	HU265AWK	HU265DS	46.25	1175	48.00	1219	26.25	667	26.25	667	23.00	584	9.75	248	...
...	HU365AWK	HU365DS	46.25	1175	48.00	1219	26.25	667	26.25	667	23.00	584	9.75	248	...
...	HU465AWK	...	46.25	1175	48.00	1219	32.50	826	32.50	826	29.13	740	9.75	248	...
600 Ampere															
...	H226AWK	H226DS	46.25	1175	48.00	1219	26.25	667	26.25	667	23.00	584	9.75	248	...
...	H226NAWK	H226NDS	46.25	1175	48.00	1219	26.25	667	26.25	667	23.00	584	9.75	248	...
...	H266AWK	H266DS	46.25	1175	48.00	1219	26.25	667	26.25	667	23.00	584	9.75	248	...
...	H326AWK	H326DS	46.25	1175	48.00	1219	26.25	667	26.25	667	23.00	584	9.75	248	...
...	H326NAWK	H236NDS	46.25	1175	48.00	1219	26.25	667	26.25	667	23.00	584	9.75	248	...
...	H366AWK	H366DS	46.25	1175	48.00	1219	26.25	667	26.25	667	23.00	584	9.75	248	...
...	H366NAWK	H366NDS	46.25	1175	48.00	1219	26.25	667	26.25	667	23.00	584	9.75	248	...
...	HU266AWK	HU266DS	46.25	1175	48.00	1219	26.25	667	26.25	667	23.00	584	9.75	248	...
...	HU366AWK	HU366DS	46.25	1175	48.00	1219	26.25	667	26.25	667	23.00	584	9.75	248	...

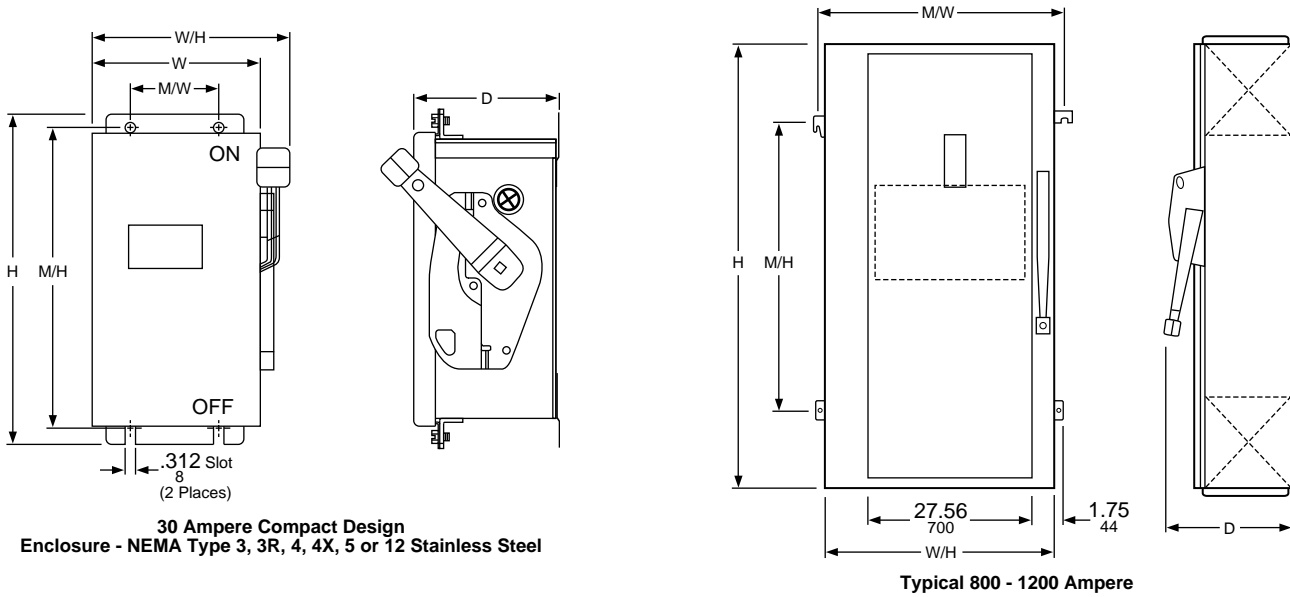
▲ F Series Switch



Dimensions

NEMA Type 4, 4X and 5 Stainless Steel, NEMA Type 12, 12K

E Series

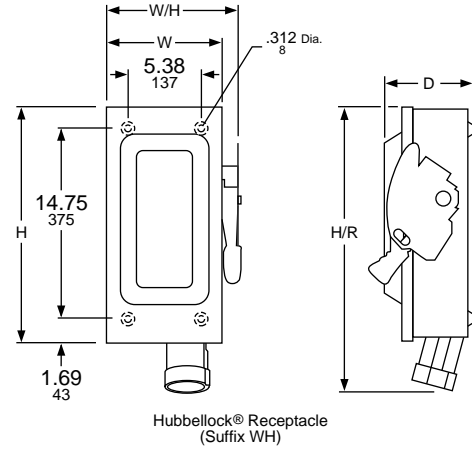
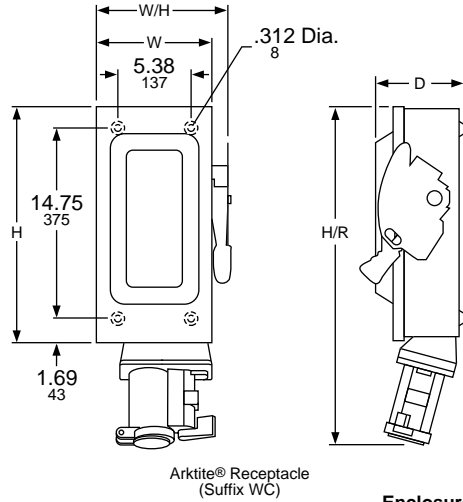


Catalog Numbers		Overall Dimensions in/mm ± 1/16											
NEMA Type 12 Without Knockouts	NEMA Type 4, 4X, and 5 Stainless Steel Type 304	H		M/H		W		W/H		M/W		D	
		IN	mm	IN	mm	IN	mm	IN	mm	IN	mm	IN	mm
800 Ampere													
H227AWK	...	69.13	1756	45.00	1143	36.62	930	36.62	930	38.00	965	17.75	451
H227NAWK	...	69.13	1756	45.00	1143	36.62	930	36.62	930	38.00	965	17.75	451
H267AWK	...	69.13	1756	45.00	1143	36.62	930	36.62	930	38.00	965	17.75	451
H327AWK	...	69.13	1756	45.00	1143	36.62	930	36.62	930	38.00	965	17.75	451
H327NAWK	...	69.13	1756	45.00	1143	36.62	930	36.62	930	38.00	965	17.75	451
H367AWK	...	69.13	1756	45.00	1143	36.62	930	36.62	930	38.00	965	17.75	451
H367NAWK	...	69.13	1756	45.00	1143	36.62	930	36.62	930	38.00	965	17.75	451
HU267AWK	...	69.13	1756	45.00	1143	36.62	930	36.62	930	38.00	965	17.75	451
HU367AWK	...	69.13	1756	45.00	1143	36.62	930	36.62	930	38.00	965	17.75	451
1200 Ampere													
H228AWK	...	69.13	1756	45.00	1143	36.62	930	36.62	930	38.00	965	17.75	451
H228NAWK	...	69.13	1756	45.00	1143	36.62	930	36.62	930	38.00	965	17.75	451
H268AWK	...	69.13	1756	45.00	1143	36.62	930	36.62	930	38.00	965	17.75	451
H328AWK	...	69.13	1756	45.00	1143	36.62	930	36.62	930	38.00	965	17.75	451
H328NAWK	...	69.13	1756	45.00	1143	36.62	930	36.62	930	38.00	965	17.75	451
H368AWK	...	69.13	1756	45.00	1143	36.62	930	36.62	930	38.00	965	17.75	451
H368NAWK	...	69.13	1756	45.00	1143	36.62	930	36.62	930	38.00	965	17.75	451
HU268AWK	...	69.13	1756	45.00	1143	36.62	930	36.62	930	38.00	965	17.75	451
HU368AWK	...	69.13	1756	45.00	1143	36.62	930	36.62	930	38.00	965	17.75	451
30 Ampere Compact Design													
...	HU361DSK	11.95	304	10.87	276	6.06	154	7.12	181	3.25	83	5.28	134
...	HU361DSKEI	11.95	304	10.87	276	6.06	154	7.12	181	3.25	83	5.28	134
...	HU361DSKVW	11.95	304	10.87	276	6.06	154	7.12	181	3.25	83	5.28	134
...	HU361DSKVWEI	11.95	304	10.87	276	6.06	154	7.12	181	3.25	83	5.28	134

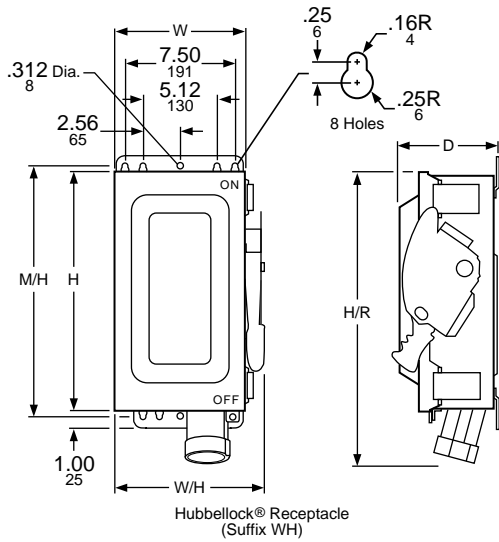
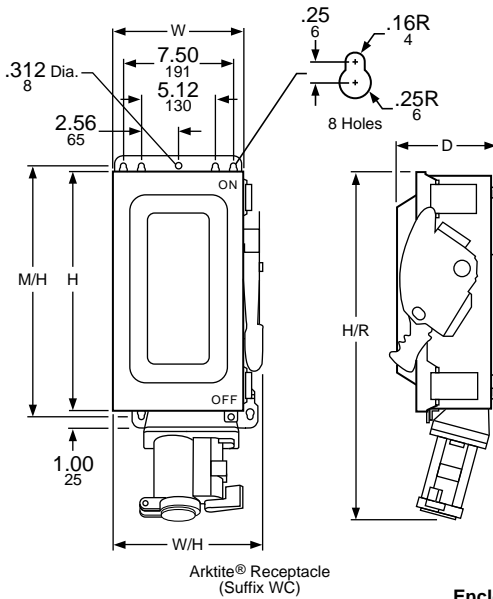


Dimensions Receptacle – NEMA Type 1 and 12

F Series



Enclosure - NEMA Type 1 General Purpose



Enclosure - NEMA Type 12/3R

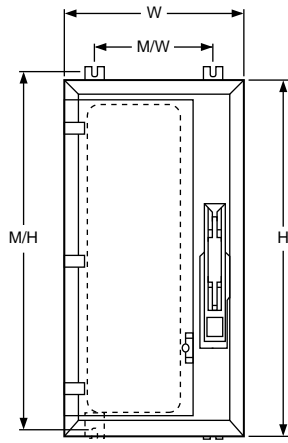
Catalog Numbers	Overall Dimensions IN/mm ± 1/16													
	H		M/H		W		W/H		H/R		M/W		D	
	IN	mm	IN	mm	IN	mm	IN	mm	IN	mm	IN	mm	IN	mm
H361WC	18.19	462	14.75	375	9.00	229	10.50	267	25.69	652	5.38	137	6.81	173
H362WC	18.19	462	14.75	375	9.00	229	10.50	267	25.69	652	5.38	137	6.81	173
H363WC	21.85	555	14.75	375	9.04	230	10.50	267	29.35	745	5.38	137	6.81	173
H361AWC	16.50	419	16.75	425	9.00	229	10.50	267	25.50	648	5.12	130	7.00	178
H362AWC	16.50	419	16.75	425	9.00	229	10.50	267	25.50	648	5.12	130	7.00	178
H363AWC	20.50	521	21.00	533	9.00	229	10.50	267	28.05	712	5.12	130	7.00	178
HU361WC	18.19	462	14.75	375	9.00	229	10.50	267	25.69	652	5.38	137	6.81	173
HU362WC	18.19	462	14.75	375	9.00	229	10.50	267	25.69	652	5.38	137	6.81	173
HU363WC	21.85	555	14.75	375	9.04	230	10.50	267	29.35	745	5.38	137	6.81	173
HU361AWC	16.50	419	16.75	425	9.00	229	10.50	267	25.50	648	5.12	130	7.00	178
HU362AWC	16.50	419	16.75	425	9.00	229	10.50	267	25.50	648	5.12	130	7.00	178
HU363AWC	20.50	521	21.00	533	9.00	229	10.50	267	28.05	712	5.12	130	7.00	178
H362WH	18.19	462	14.75	375	9.00	229	10.50	267	21.81	554	5.38	137	6.81	173
H362AWH	16.50	419	16.75	425	9.00	229	10.50	267	21.25	540	5.12	130	7.00	178
HU362WH	18.19	462	14.75	375	9.00	229	10.50	267	21.81	554	5.38	137	6.81	173
HU362AWH	16.50	419	16.75	425	9.00	229	10.50	267	21.25	540	5.12	130	7.00	178



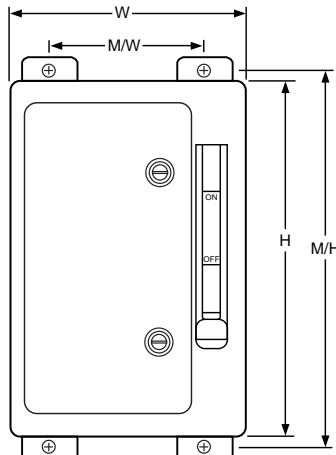
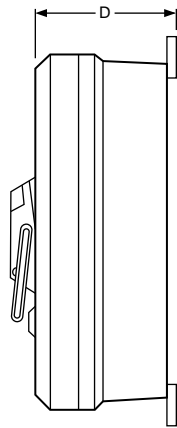
Dimensions

Dimensions – NEMA Type 4X Krydon, NEMA Type 7, 9

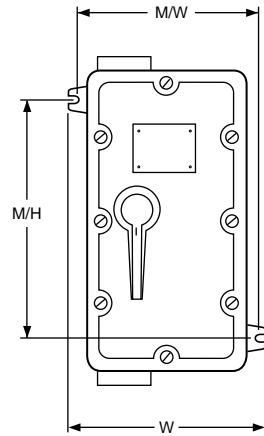
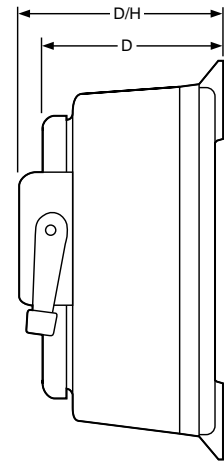
E Series



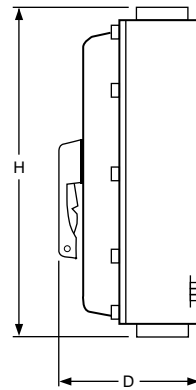
H361DX, HU361DX



H361DF, HU361DF



H60XFA



Catalog Number	Overall Dimensions – IN/mm										Conduit Provisions IN/mm			
	H		M/H		W		M/W		D		Top		Bottom	
	IN	mm	IN	mm	IN	mm	IN	mm	IN	mm	IN	mm	IN	mm
NEMA Type 4X ▲														
H361DX, HU361DX	19.40	493	19.37	492	11.40	290	7.88	200	8.60	218	¾	19	¾	19
H362DX, HU362DX	19.40	493	19.37	492	11.40	290	7.88	200	8.60	218	1¼	32	1¼	32
H363DX, HU363DX	27.40	696	27.25	692	15.40	391	11.88	302	9.60	244	2	51	2	51
NEMA Type 7, 9●														
H60XFA	15.93	405	10.87	276	9.87	251	9.12	232	6.96	177	¾	19	¾	19
H60XFA-1212	15.93	405	10.87	276	9.87	251	9.12	232	6.96	177	¾	19	¾	19
H100XFA	15.93	405	10.87	276	9.87	251	9.12	232	6.96	177	1¼	32	1¼	32
H225XKA	22.56	573	17.00	432	10.88	277	9.87	251	7.75	197	2½	64	2½	64

▲ Hubs and hub drilling templates are provided for field installation.

● Threaded conduit opening.

VERSA-CRIMP and Hubbelock are Registered Trademarks of Hubbel Incorporated.
KRYDON and Arktite are Registered Trademarks of Crouse-Hinds Company.



SQUARE D
GROUPE SCHNEIDER